

THERMA-TRU® DOORS

Classic-Craft.

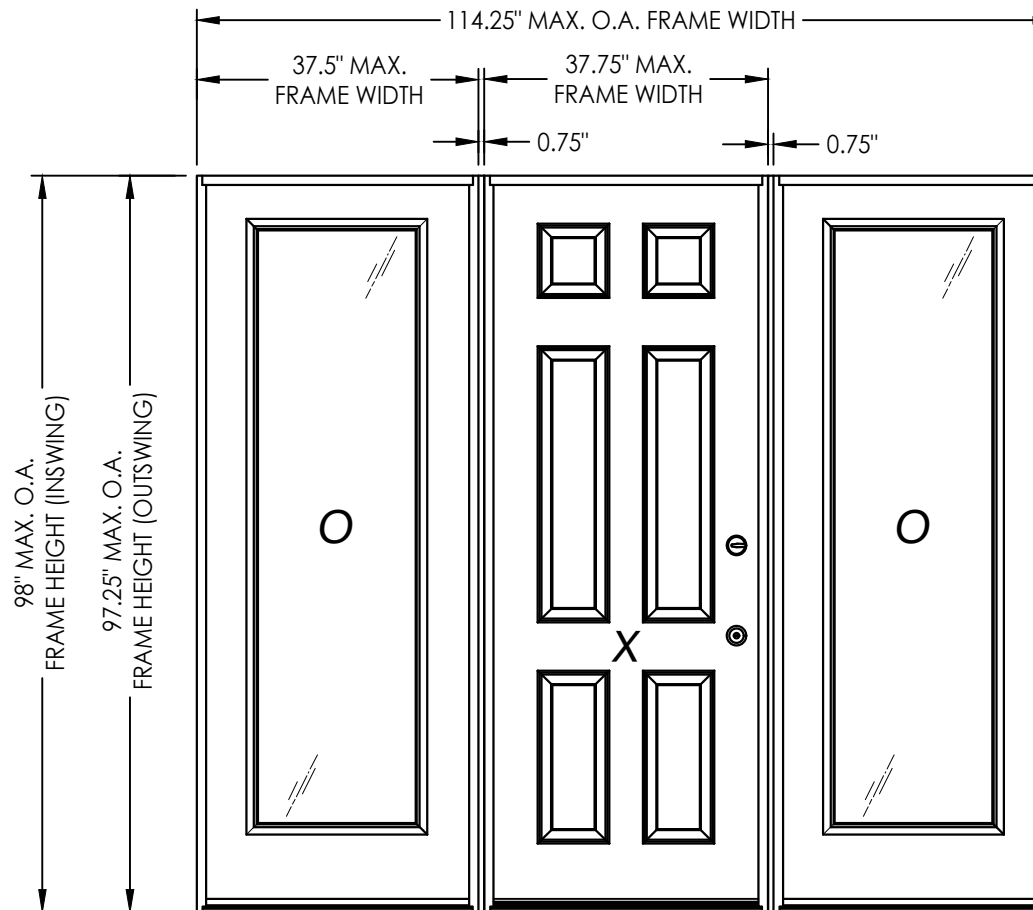
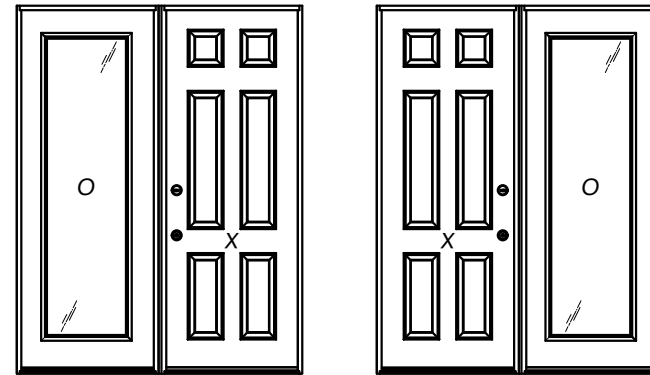
OPAQUE FIBERGLASS SINGLE DOOR w/ SIDELITE(S) IN SWING/OUT SWING "IMPACT"

GENERAL NOTES

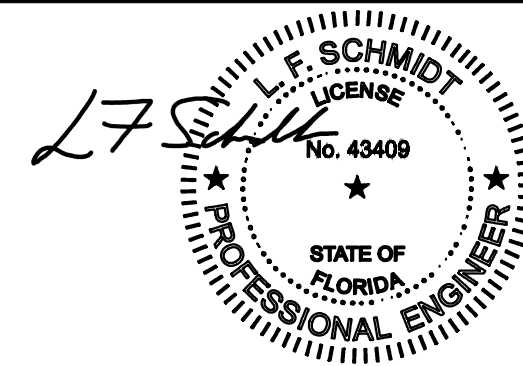
1. This product has been evaluated and is in compliance with the 8th Edition (2023) Florida Building Code (FBC) structural requirements excluding the "High Velocity Hurricane Zone" (HVHZ).
2. Product anchors shall be as listed and spaced as shown on details. Anchor embedment to base material shall be beyond wall dressing or stucco.
3. When used in areas requiring wind borne debris protection, this product complies with FBC Sections 1609.1.2 & R301.2.1.2 and does not require an impact resistant covering. This product meets missile level "D" and excludes Wind Zone 4 as defined in ASTM E 1996 and FBC Sections 1609.1.2.2 & R301.2.1.2.1.
4. For 2x stud framing construction, anchoring of these units shall be the same as that shown for 2x buck masonry construction.
5. Site conditions that deviate from the details of this drawing require further engineering analysis by a licensed engineer or registered architect.

TABLE OF CONTENTS

SHEET #	DESCRIPTION
1	Typical Elevations, Design Pressures & General Notes
2	Door Panel Details
3	Sidelite Panel Details
4	Elevations
5	Horizontal Cross Sections (2X Buck)
6	Vertical Cross Sections (2X Buck)
7	Horizontal & Vertical Cross Sections (1X Buck)
8	Vertical Cross Sections (Thresholds)
9	Buck Anchoring
10	Frame Anchoring
11	Components
12	Bill of Materials



CONFIGURATION	DESIGN PRESSURE (PSF) IN SWING		DESIGN PRESSURE (PSF) OUT SWING	
	POSITIVE	NEGATIVE	POSITIVE	NEGATIVE
OX, XO, OXO	+50.0	-50.0	+50.0	-50.0



This item has been digitally signed and sealed by L. F. Schmidt, P.E. on the date adjacent to the seal. Printed copies of this document are not considered signed and sealed and the signature must be verified on any electronic copies.

THIS PRODUCT APPROVAL IS VALID ONLY FOR THE STATE OF FLORIDA

Documents Prepared By:
Lyndon F. Schmidt
P.E. No. 43409

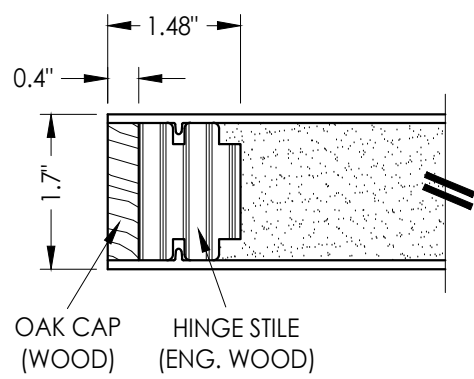
RW BUILDING CONSULTANTS, INC.
P.O. Box 230, Vairico, FL 33595
Phone No.: 813.659.9197
FBPE Registry No. 9813

PRODUCT: THERMA-TRU
FIBERGLASS DOOR

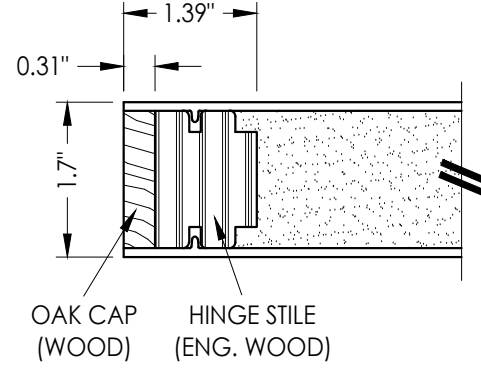
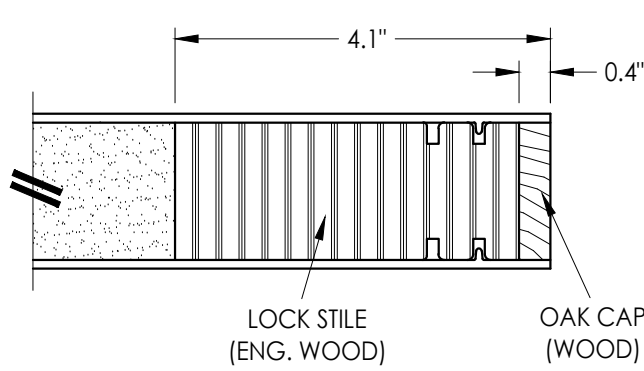
PART OR ASSEMBLY:
TYPICAL ELEVATION, DESIGN
PRESSURES & GENERAL NOTES

NO.	DATE	REVISIONS
2	8/08/23	UPDATE TO 8TH ED. (2023) FBC
1	7/23/20	UPDATE TO 7TH ED (2020) FBC

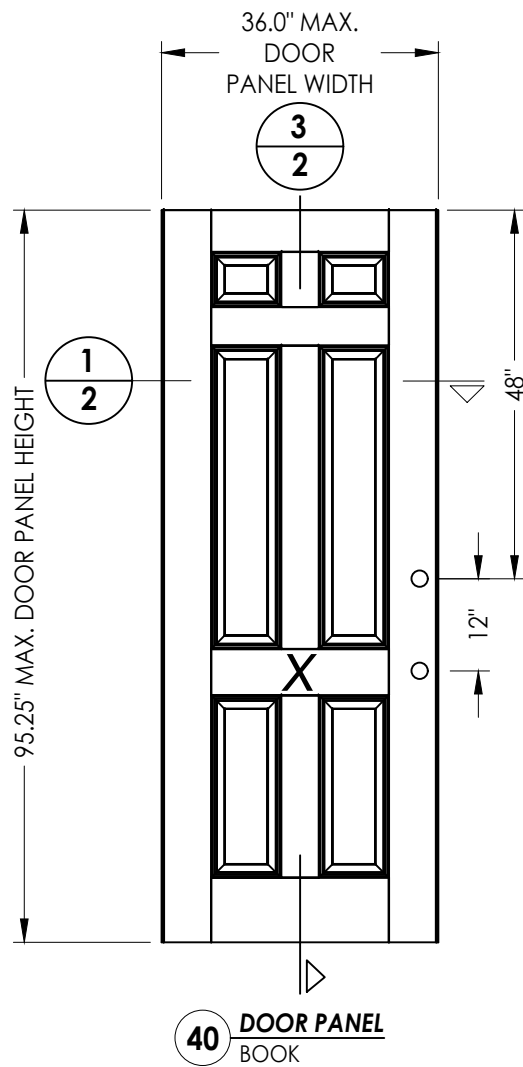
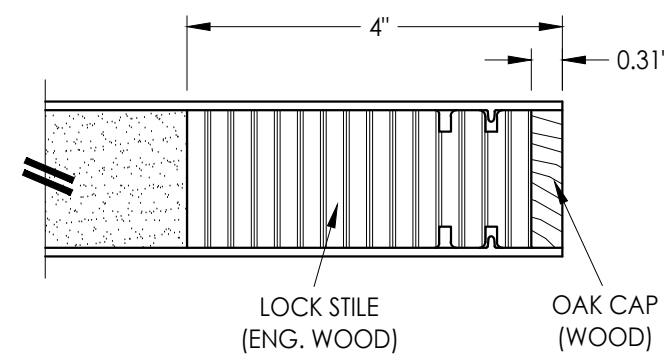
DATE: 4/13/20
SCALE: N.T.S.
DWG. BY: RW
CHK. BY: LFS
DRAWING NO.: FL-23956.5
SHEET 1 OF 12



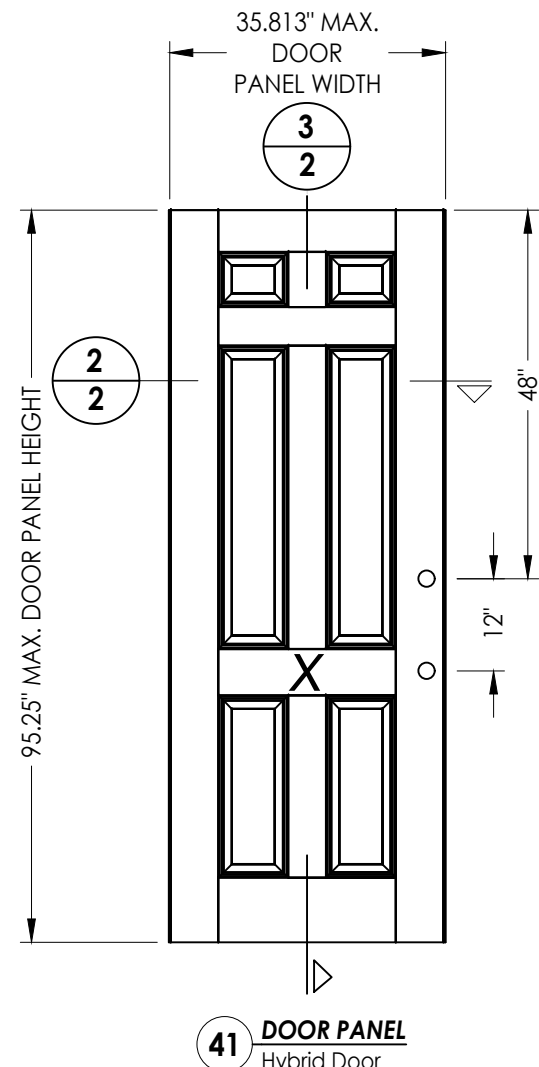
1
2 HORIZONTAL CROSS SECTION



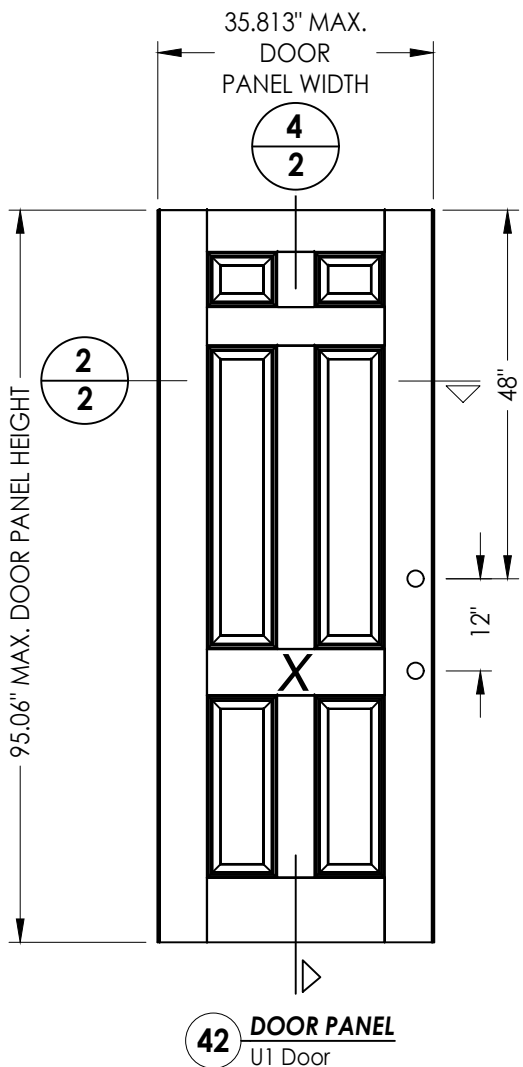
2
2 HORIZONTAL CROSS SECTION



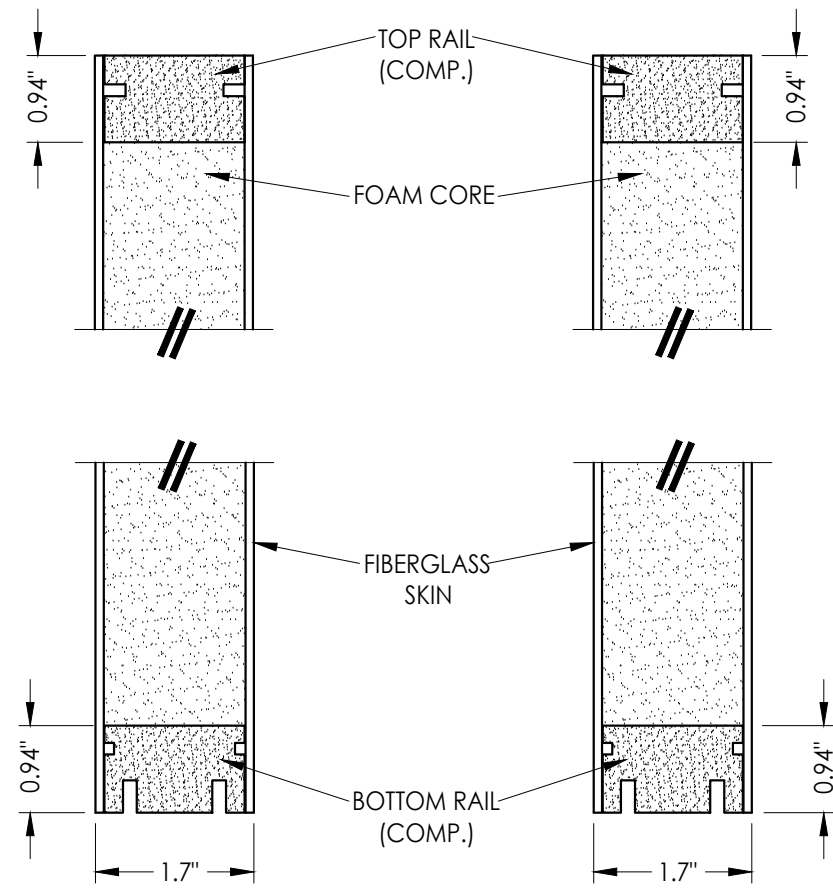
40 DOOR PANEL BOOK



41 DOOR PANEL Hybrid Door



42 DOOR PANEL U1 Door



3
2 VERTICAL CROSS SECTION

4
2 VERTICAL CROSS SECTION

"Classic-Craft" SERIES DOOR PANEL
 FIBERGLASS DOOR SKIN: 0.125" MIN. THK.
 FOAM CORE: POLYURETHANE FOAM (1.9 PCF MIN.)

Documents Prepared By:
 Lyndon F. Schmidt
 P.E. No. 43409

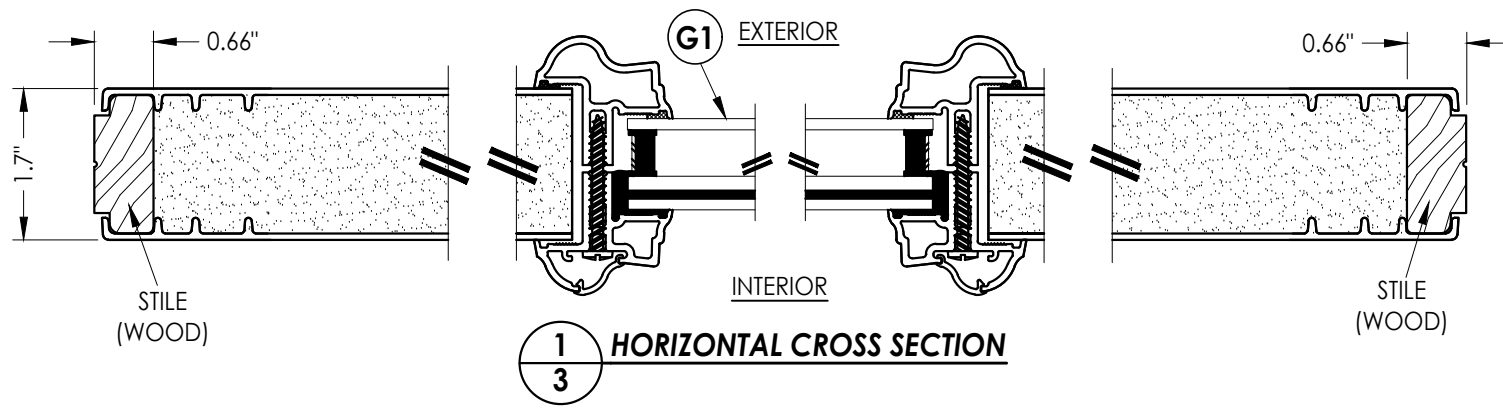
RW BUILDING CONSULTANTS, INC.
 P.O. Box 230, Vairico, FL 33595
 Phone No.: 813.659.9197
 FBPE Registry No. 9813

PRODUCT: THERMA-TRU FIBERGLASS DOOR
 PART OR ASSEMBLY: DOOR PANEL DETAILS

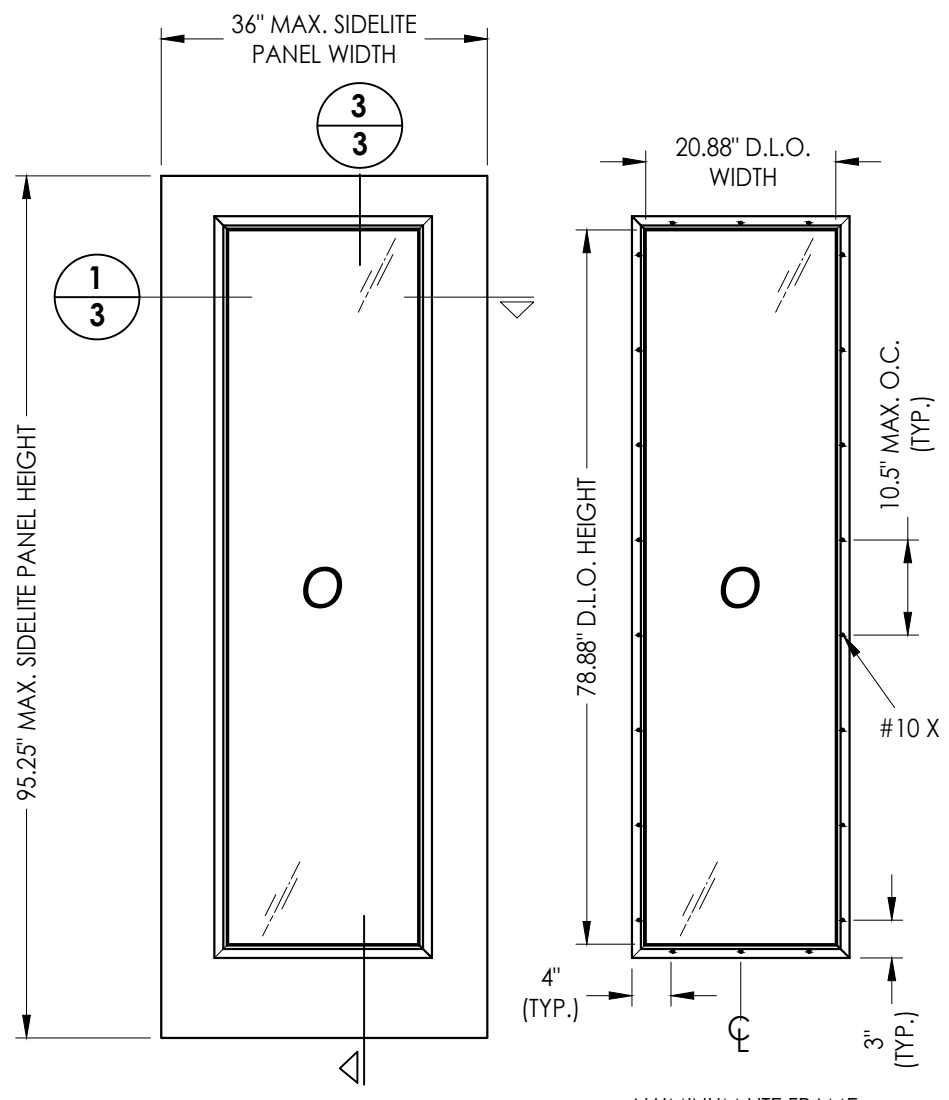
REVISIONS	
NO.	DATE
2	8/08/23
1	7/23/20

DATE:	4/13/20
SCALE:	N.T.S.
DWG. BY:	RW
CHK. BY:	LFS
DRAWING NO.:	FL-23956.5
SHEET	2 OF 12

Z:\2023 FBC Drawings\Therma-Tru\FL-23956 R2\FL-23956.4-6.dwg

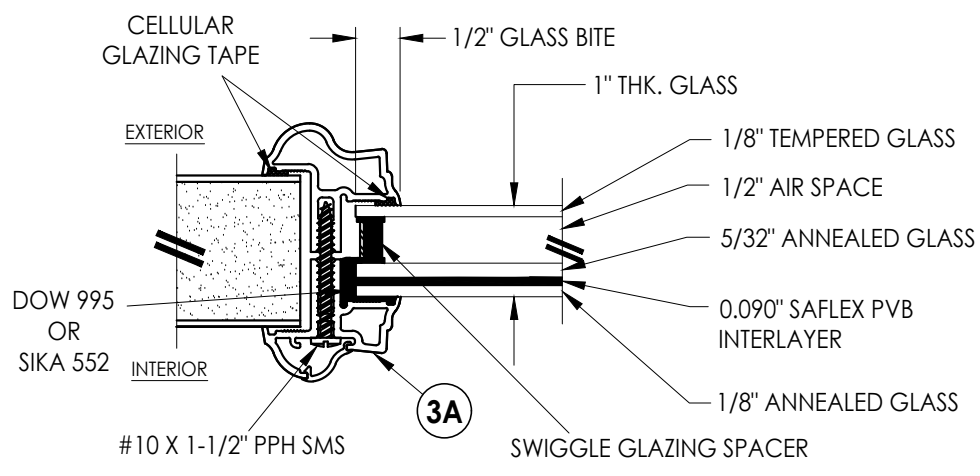


1
3 **HORIZONTAL CROSS SECTION**

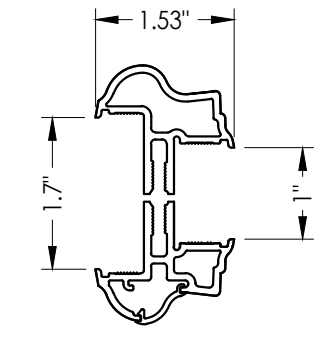


50 **SIDELITE PANEL**

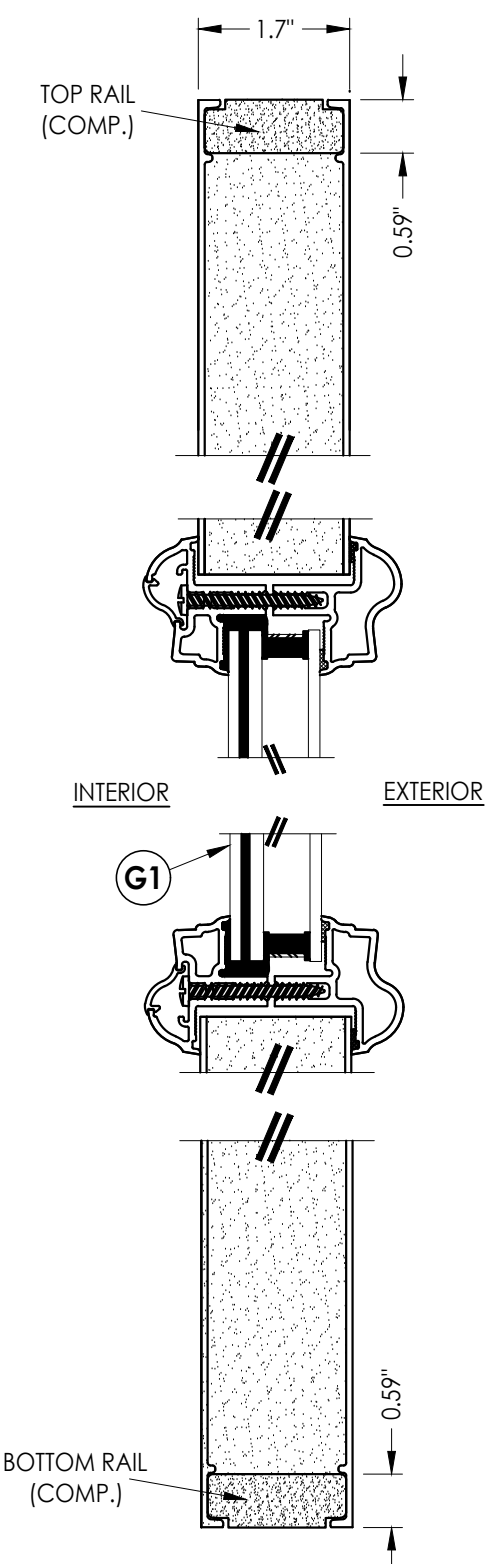
ALUMINUM LITE FRAME



G1 **GLAZING DETAIL**
Aluminum Impact Lite Frame
Door Panels & Sidelites



3A **ALUMINUM FRAME**
Aluminum Impact Lite Frame



2
3 **VERTICAL CROSS SECTION**

"Classic-Craft" SERIES SIDELITE PANEL
FIBERGLASS DOOR SKIN: 0.095" MIN. THK.
FOAM CORE: POLYURETHANE FOAM (1.9 PCF MIN.)

Documents Prepared By:
Lyndon F. Schmidt
P.E. No. 43409

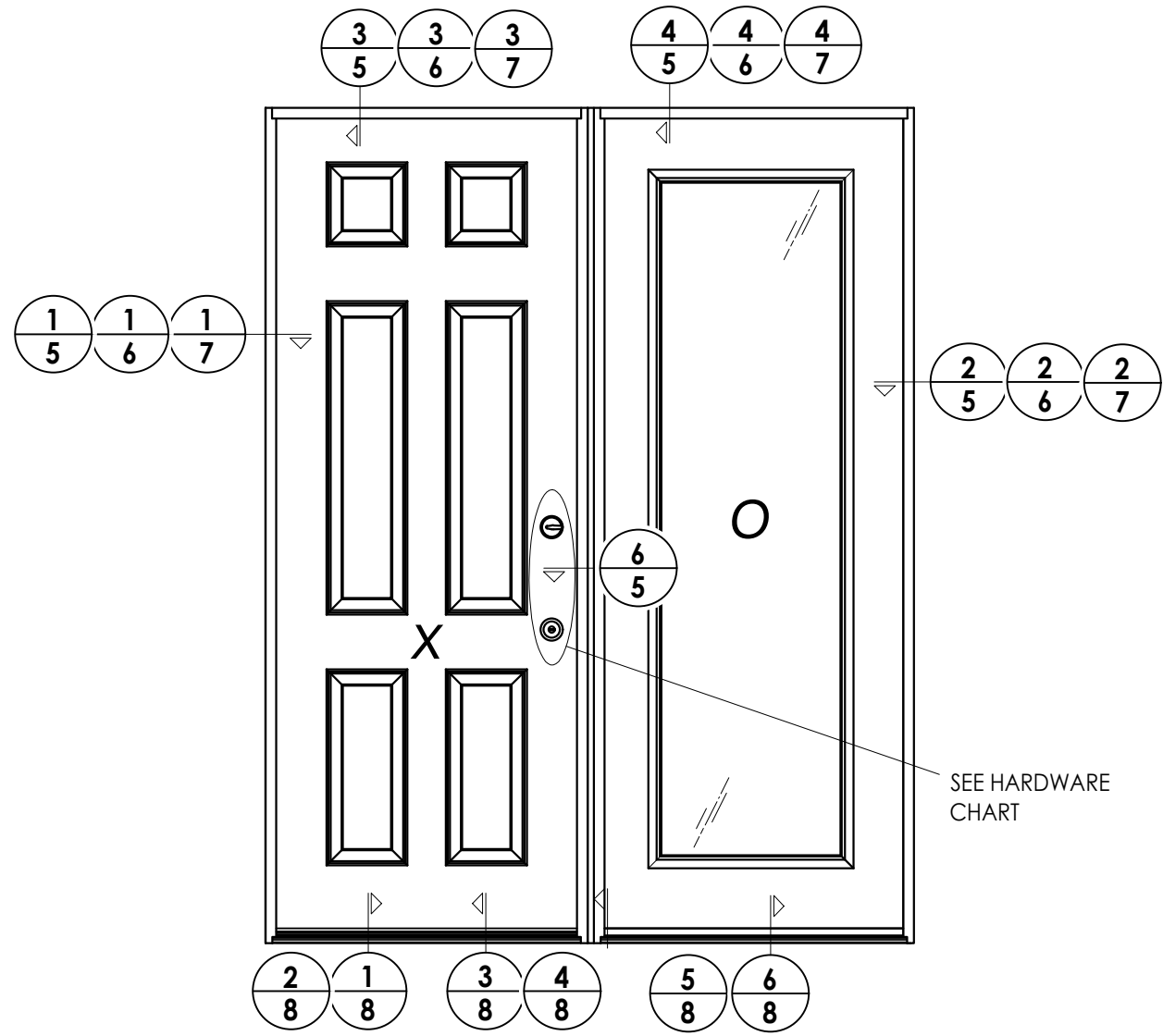
RW BUILDING CONSULTANTS, INC.
P.O. Box 230, Valrico, FL 33595
Phone No.: 813.659.9197
FBPE Registry No. 9813

PRODUCT:	Therma-Tru FIBERGLASS DOOR
PART OR ASSEMBLY:	SIDELITE PANEL DETAILS

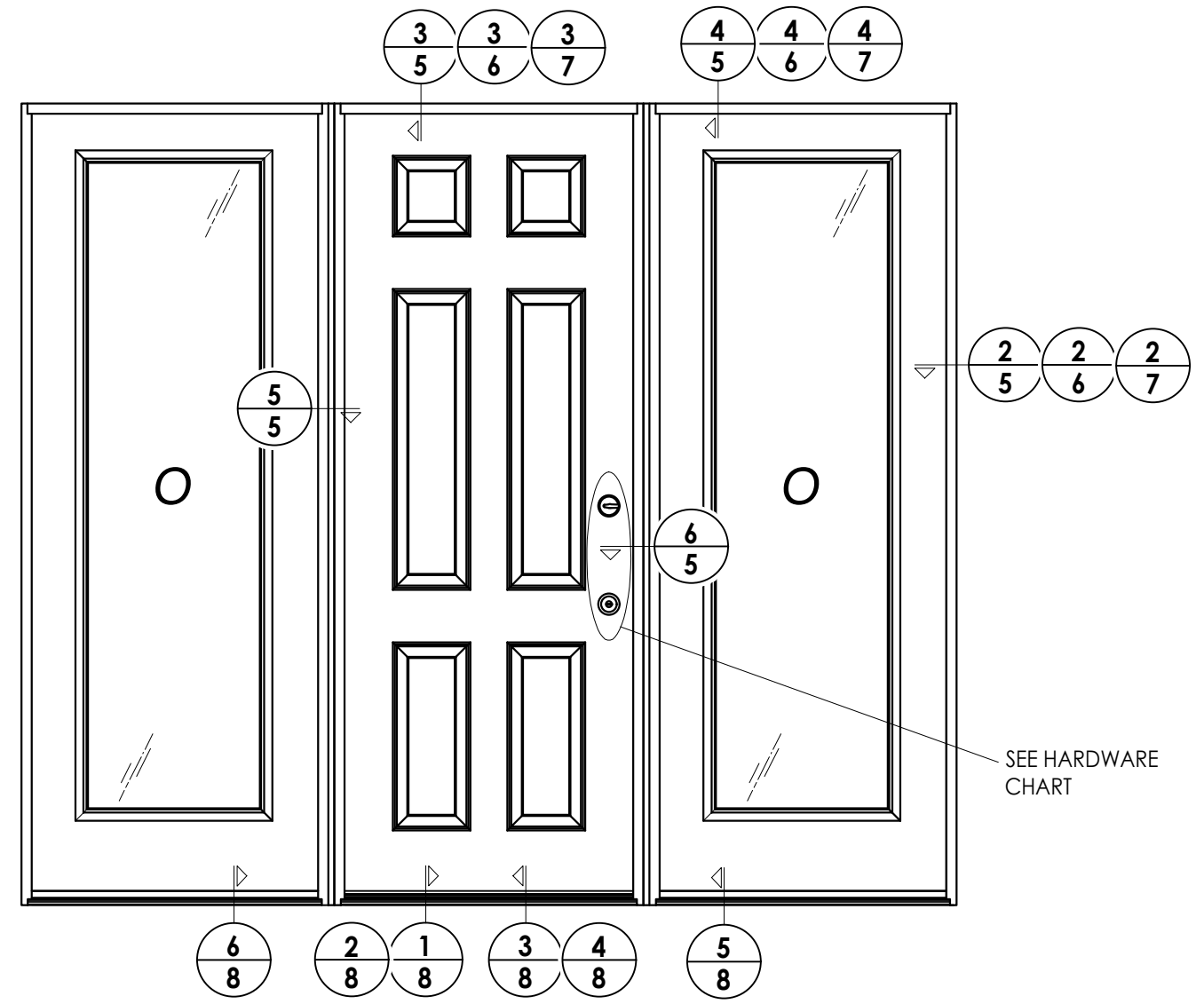
NO.	DATE	BY
2	8/08/23	LFS
1	7/23/20	LFS

DATE:	4/13/20
SCALE:	N.T.S.
DWG. BY:	RW
CHK. BY:	LFS
DRAWING NO.:	FL-23956.5
SHEET	3 OF 12

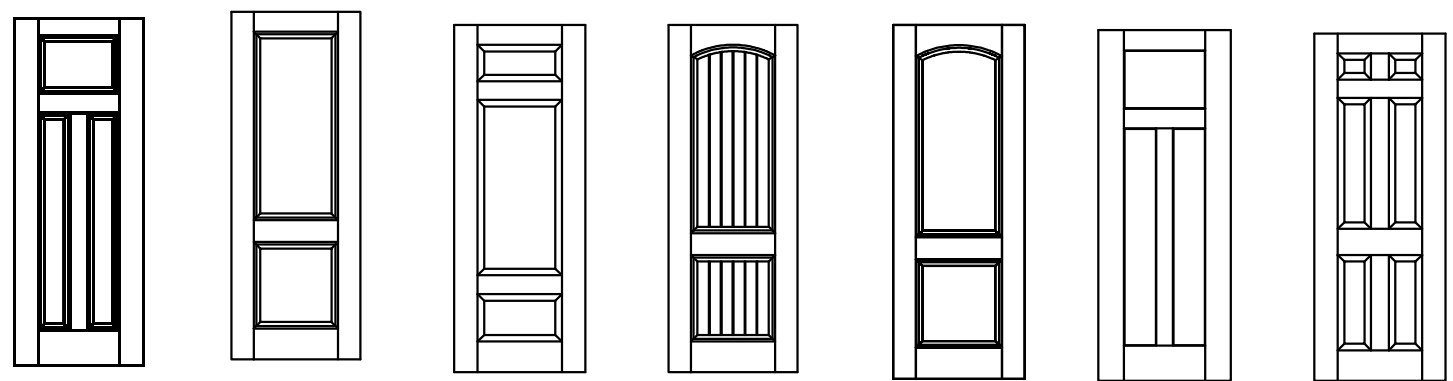
© 2020 R.W. BUILDING CONSULTANTS INC.



ELEVATION
XO/OX



ELEVATION
OX/O



Classic-Craft Door Panel Options

Panel options shown are for illustration and are representative only (similar opaque panel configurations are allowed)

HARDWARE TABLE	
MANUFACTURER	MODEL
KWIKSET	KNOB: SIGNATURE SERIES DEADBOLT: SIGNATURE SERIES (780)

Documents Prepared By:
Lyndon F. Schmidt
P.E. No. 43409

RW BUILDING CONSULTANTS, INC.
P.O. Box 230, Valrico, FL 33595
Phone No.: 813.659.9197
FBPE Registry No. 9813

PRODUCT: THERMA-TRU FIBERGLASS DOOR

PART OR ASSEMBLY: ELEVATIONS

NO.	DATE	REVISIONS
2	8/08/23	UPDATE TO 8TH ED. (2023) FBC LFS
1	7/23/20	UPDATE TO 7TH ED. (2020) FBC LFS

DATE: 4/13/20

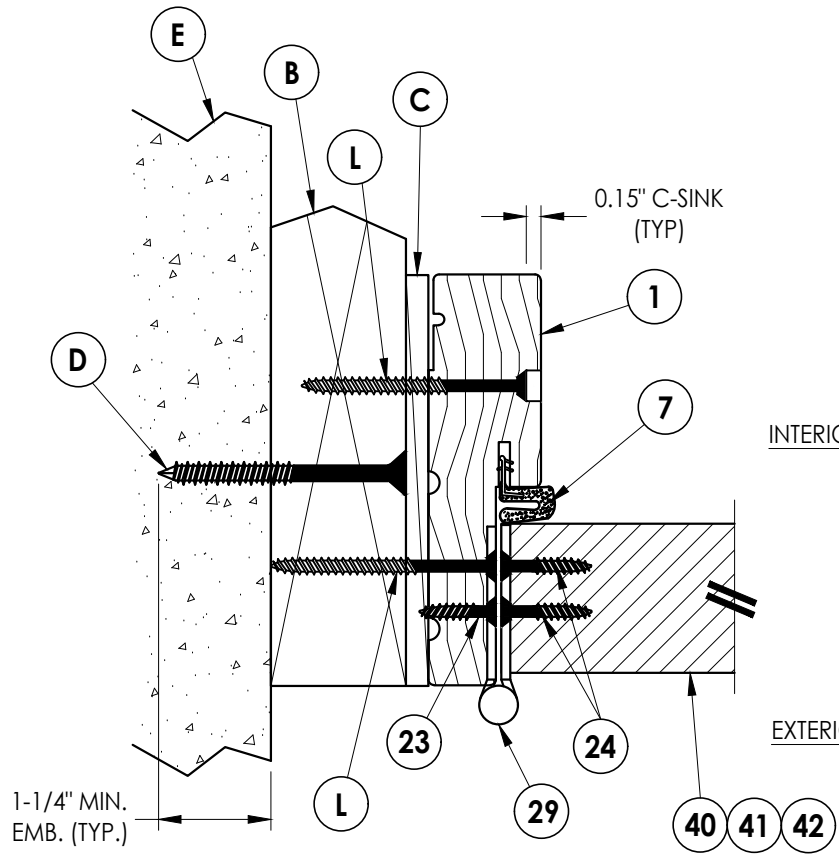
SCALE: N.T.S.

DWG. BY: RW

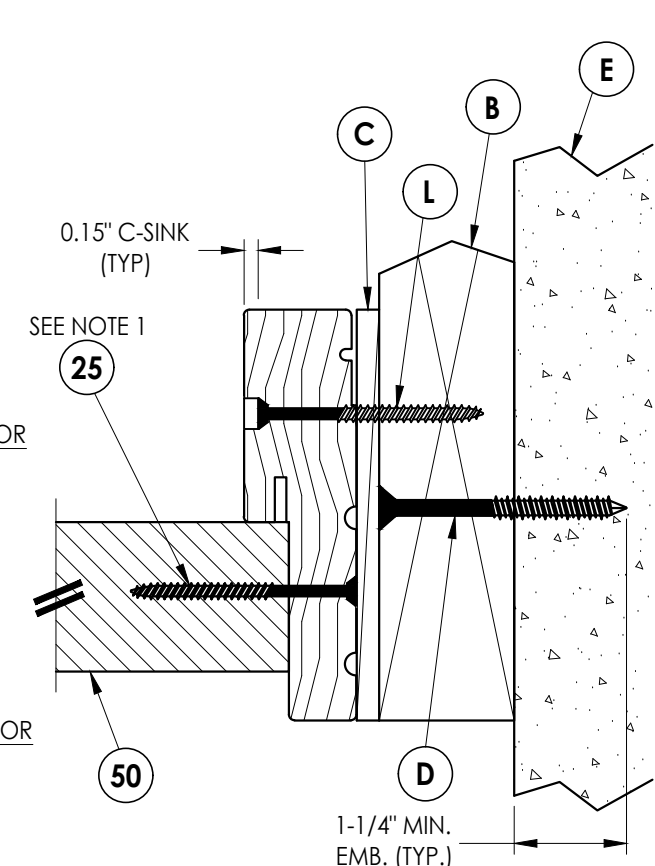
CHK. BY: LFS

DRAWING NO.: FL-23956.5

SHEET 4 OF 12

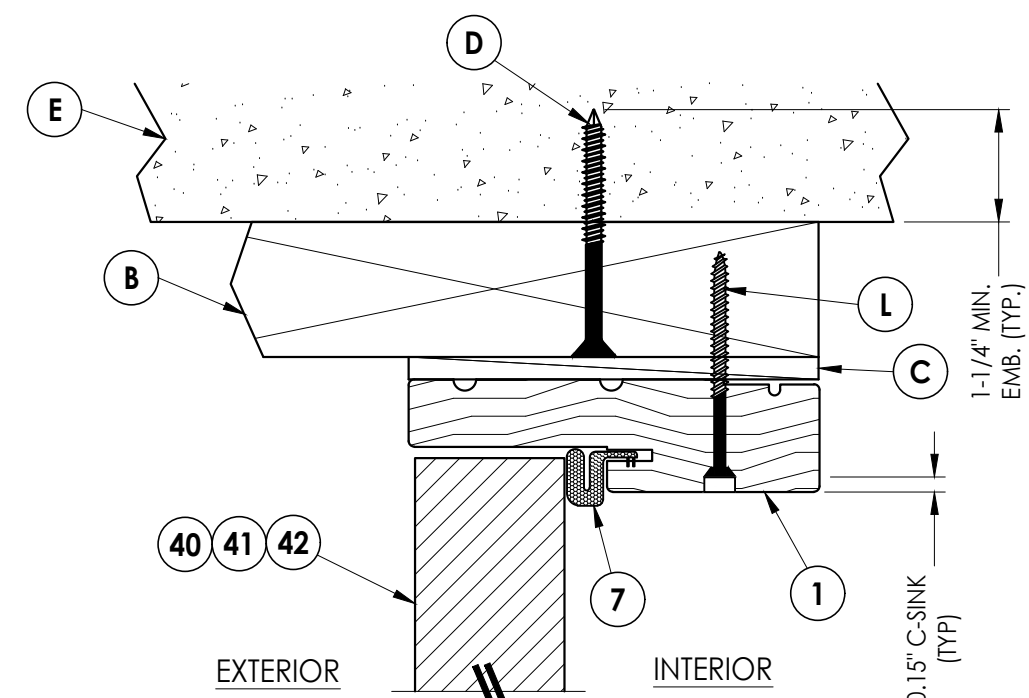


1 HORIZONTAL CROSS SECTION
5 Outswing shown (Inswing similar)

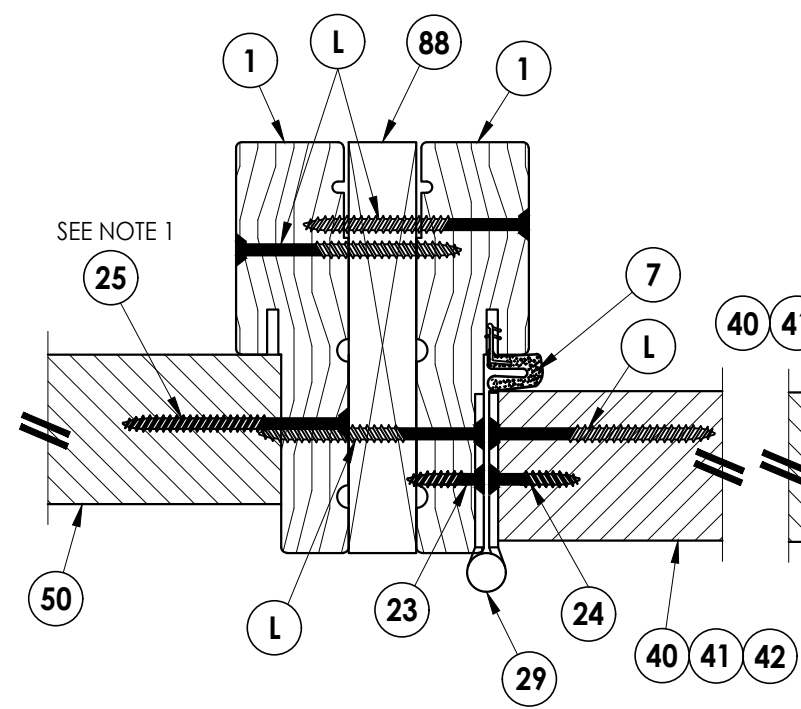


2 HORIZONTAL CROSS SECTION
5 Outswing shown (Inswing similar)

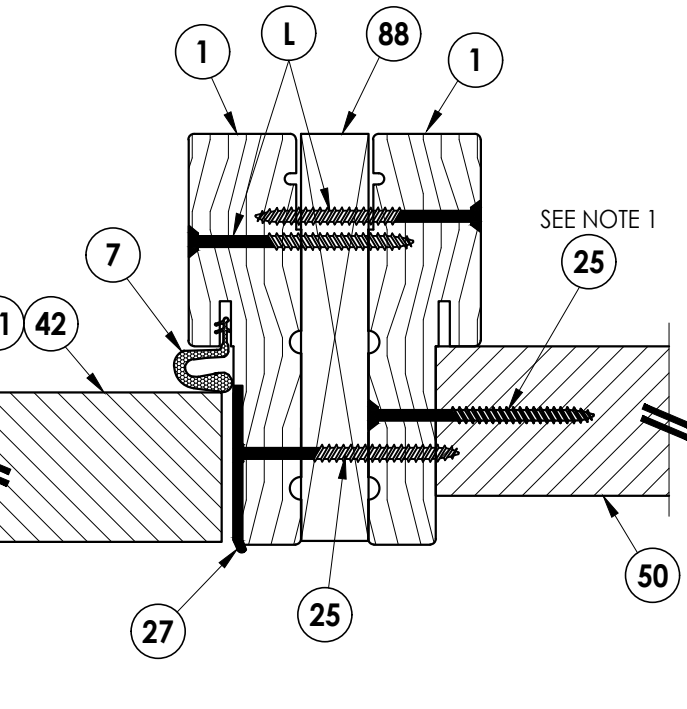
Notes:
1. Sidelite assembly screws located 7" from top and 14" from bottom & 2 more screws equally spaced between (4 screws total per side jamb).
2. Sidelite assembly screws located 4" from each end (2 screws along head jamb).



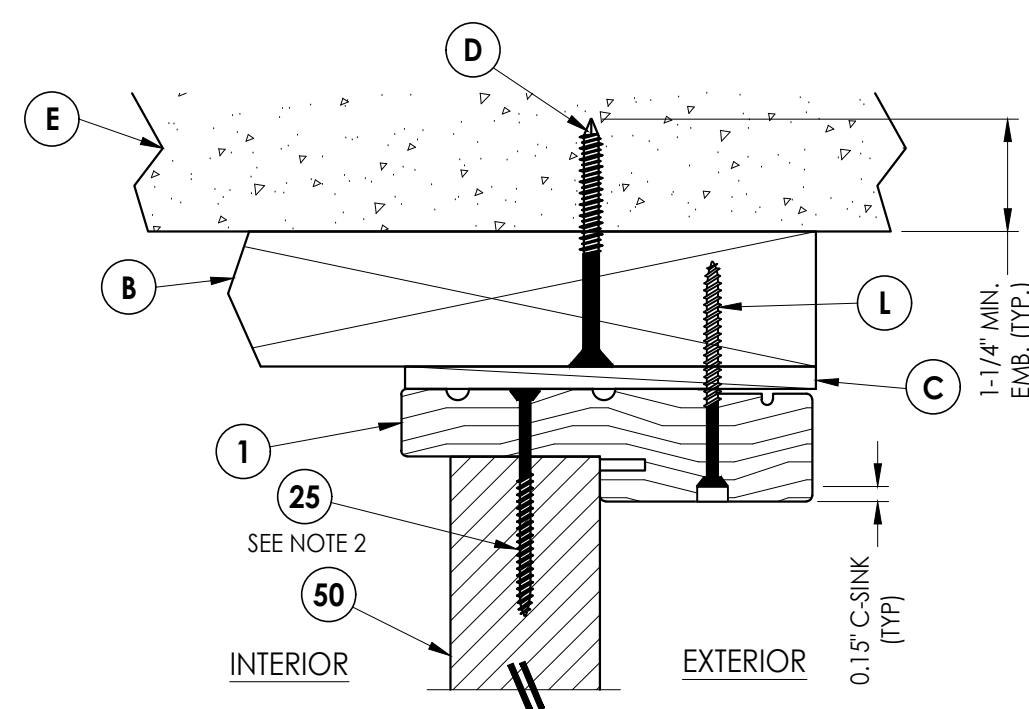
3 VERTICAL CROSS SECTION
5 Outswing shown (Inswing similar)



5 HORIZONTAL CROSS SECTION
5 Outswing shown (Inswing similar)



6 HORIZONTAL CROSS SECTION
5 Outswing shown (Inswing similar)



4 VERTICAL CROSS SECTION
5 Outswing shown (Inswing similar)

Documents Prepared By:
Lyndon F. Schmidt
P.E. No. 43409

RW BUILDING CONSULTANTS, INC.
P.O. Box 230, Valrico, FL 33595
Phone No.: 813.659.9197
FBPE Registry No. 9813

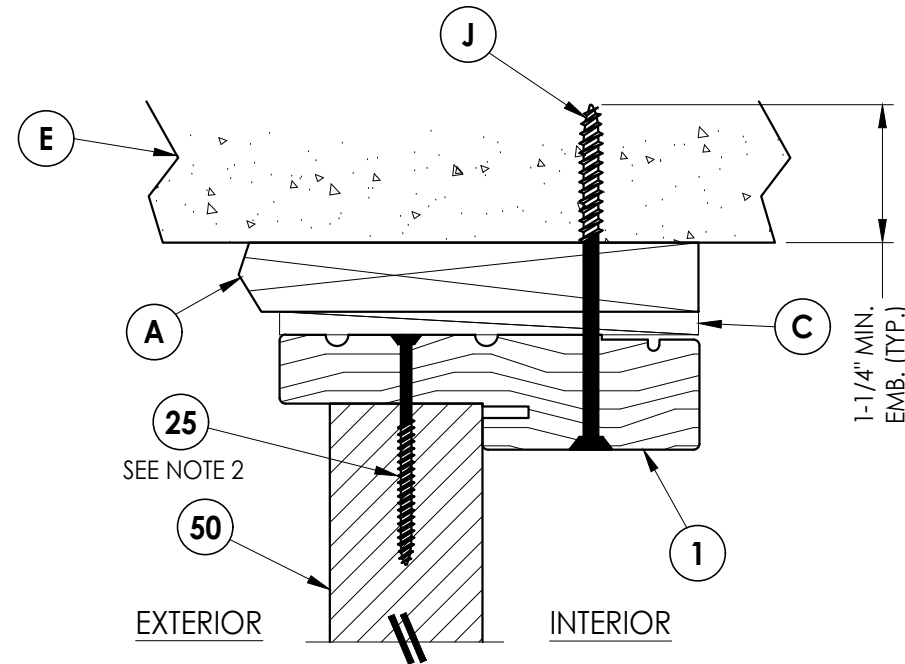
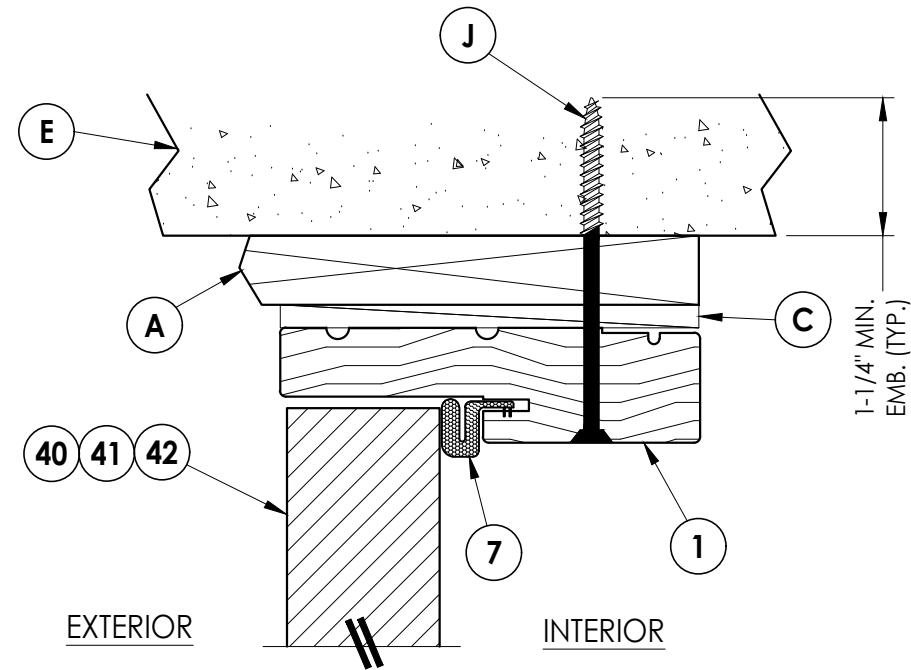
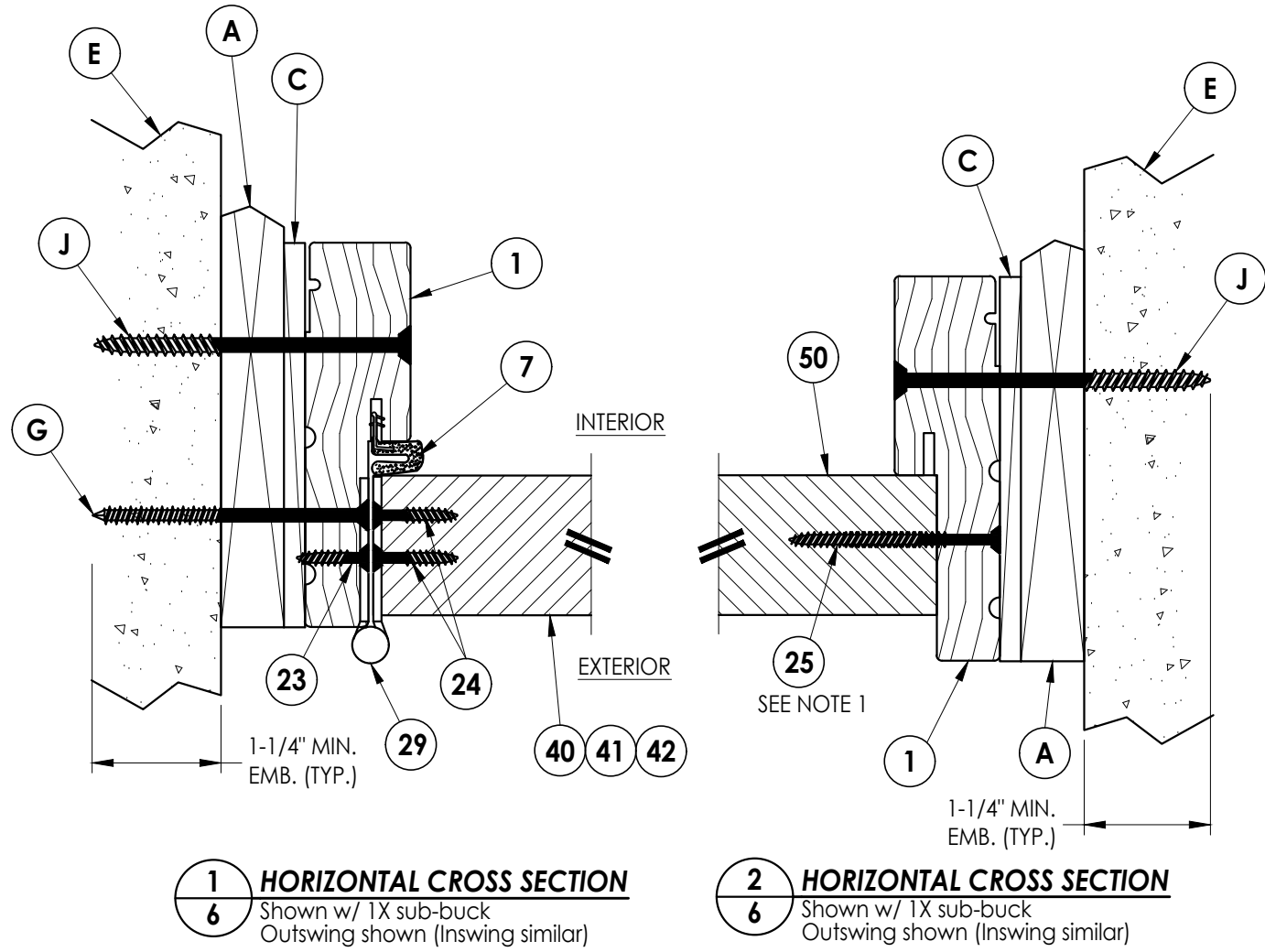
PRODUCT: THERMA-TRU FIBERGLASS DOOR
PART OR ASSEMBLY: HORIZONTAL & VERTICAL CROSS SECTIONS (2X BUCK)

NO.	DATE	BY
2	8/08/23	LFS
1	7/23/20	LFS

DATE: 4/13/20
SCALE: N.T.S.
DWG. BY: RW
CHK. BY: LFS
DRAWING NO.: FL-23956.5
SHEET 5 OF 12

Notes:

- Sidelite assembly screws located 7" from top and 14" from bottom & 2 more screws equally spaced between (4 screws total per side jamb).
- Sidelite assembly screws located 4" from each end (2 screws along head jamb).



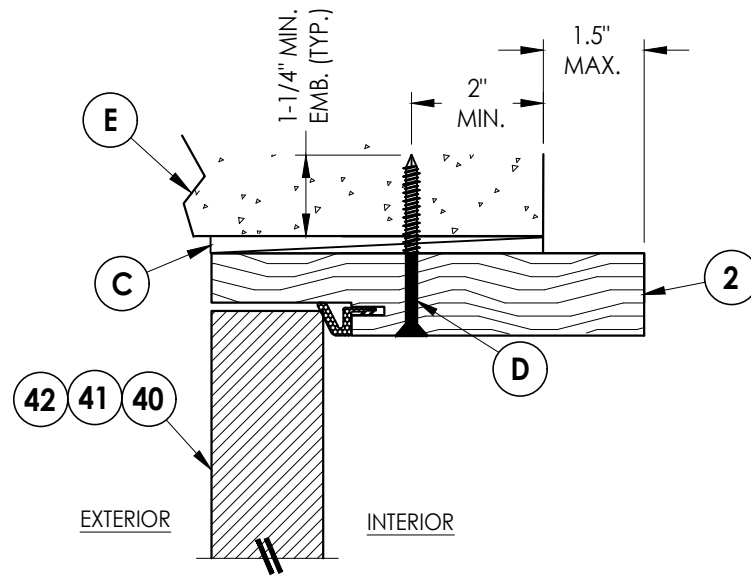
Documents Prepared By:
 Lyndon F. Schmidt
 P.E. No. 43409

RW BUILDING CONSULTANTS, INC.
 P.O. Box 230, Valrico, FL 33595
 Phone No.: 813.659.9197
 FBPE Registry No. 9813

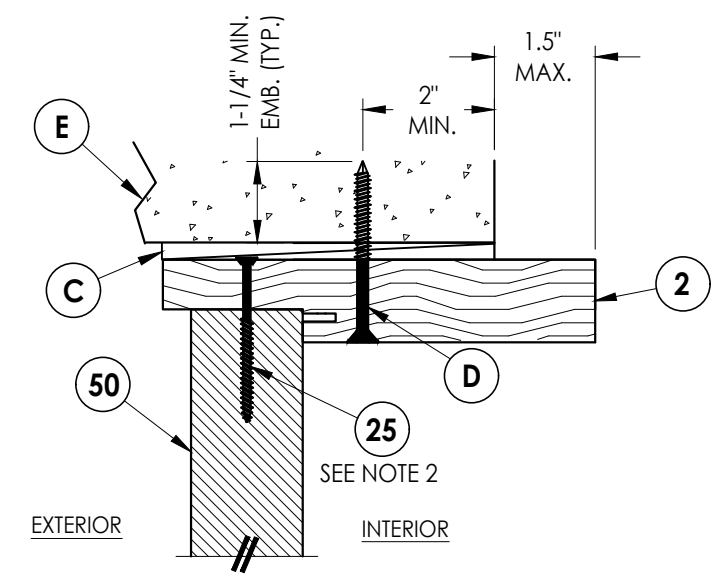
PRODUCT: THERMA-TRU FIBERGLASS DOOR
 PART OR ASSEMBLY: HORIZONTAL & VERTICAL CROSS SECTIONS (1X BUCK)

NO.	DATE	BY
2	8/08/23	LFS
1	7/23/20	LFS

DATE: 4/13/20
 SCALE: N.T.S.
 DWG. BY: RW
 CHK. BY: LFS
 DRAWING NO.: FL-23956.5
 SHEET 6 OF 12

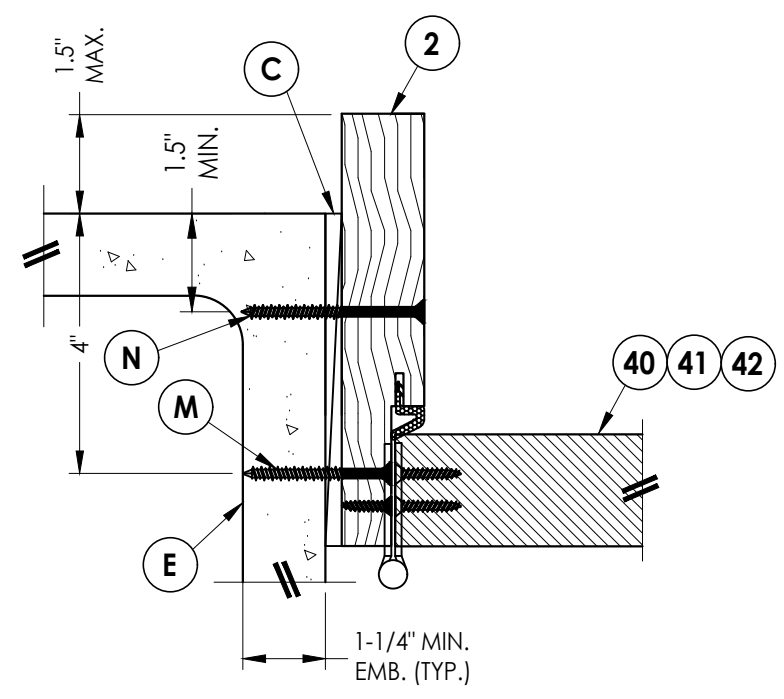


2 HORIZONTAL CROSS SECTION
7 Shown Direct to Masonry
 Outswing only w/ 6-9/16" jamb

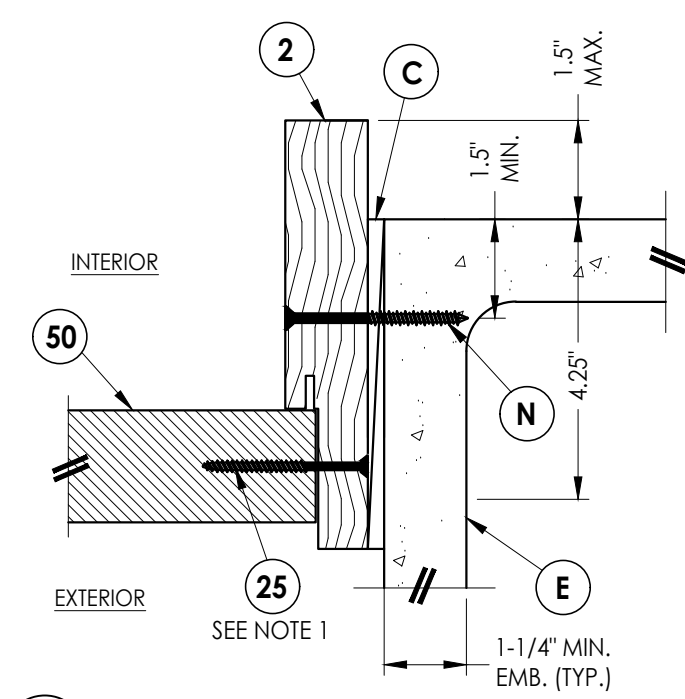


3 VERTICAL CROSS SECTION
7 Shown Direct to Masonry
 Outswing only w/ 6-9/16" jamb

- Notes:
- Sidelite assembly screws located 7" from top and 14" from bottom & 2 more screws equally spaced between (4 screws total per side jamb).
 - Sidelite assembly screws located 4" from each end (2 screws along head jamb).



1 HORIZONTAL CROSS SECTION
7 Shown Direct to Masonry
 Outswing only w/ 6-9/16" jamb



4 VERTICAL CROSS SECTION
7 Shown Direct to Masonry
 Outswing only w/ 6-9/16" jamb

Documents Prepared By:
 Lyndon F. Schmidt
 P.E. No. 43409

RW BUILDING CONSULTANTS, INC.
 P.O. Box 230, Valrico, FL 33595
 Phone No.: 813.659.9197
 LFB06E Registry No. E98463 43409

PRODUCT: THERMA-TRU
 FIBERGLASS DOOR

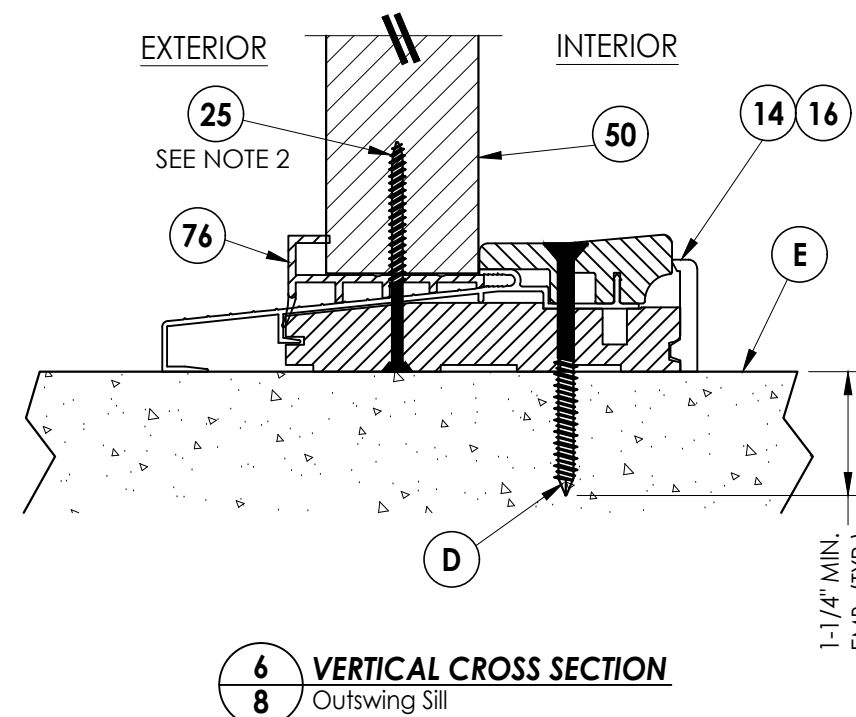
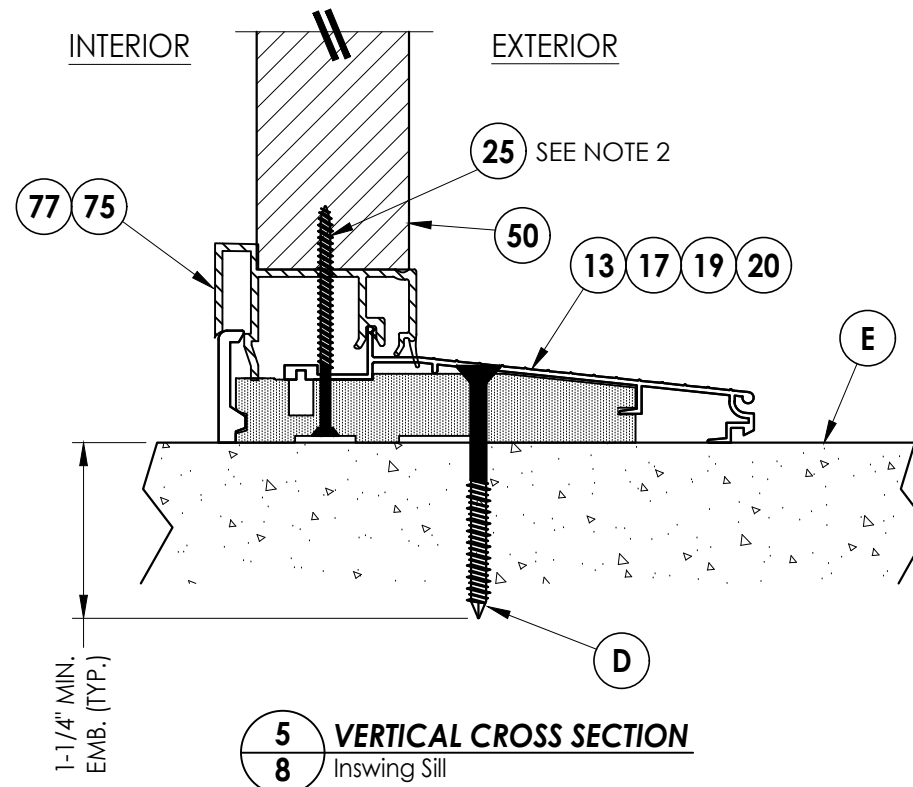
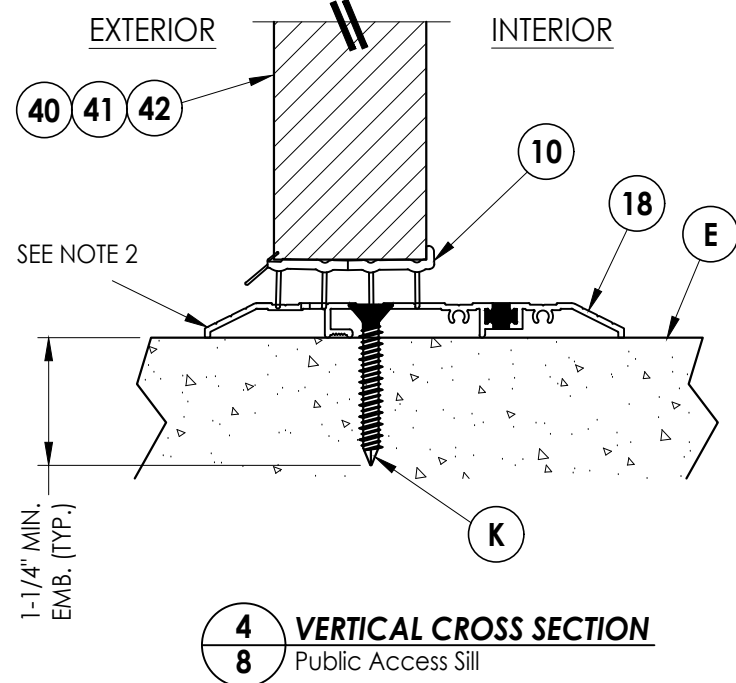
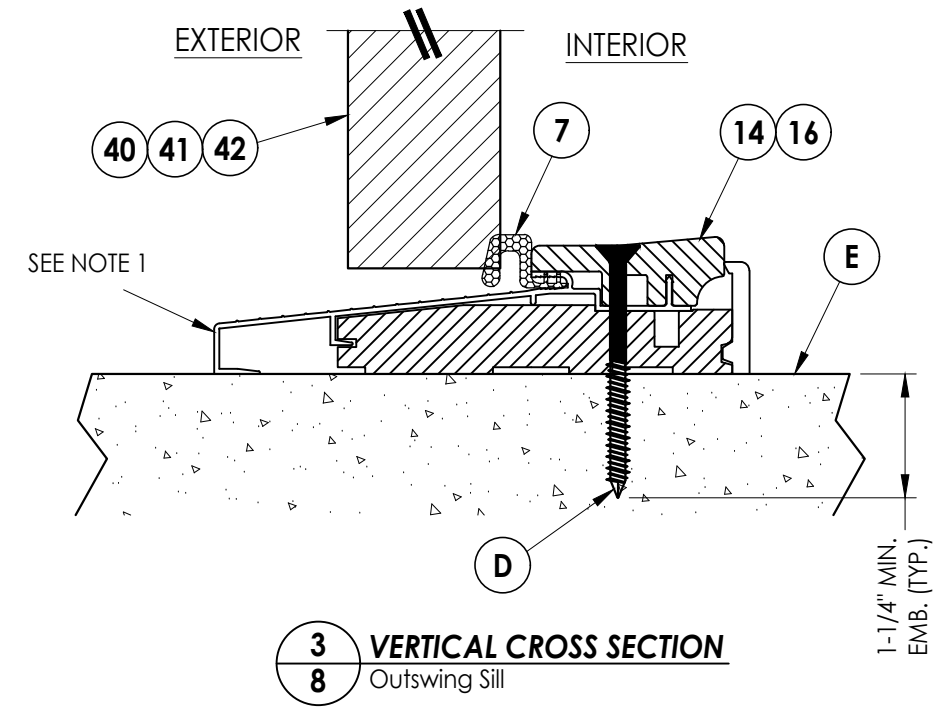
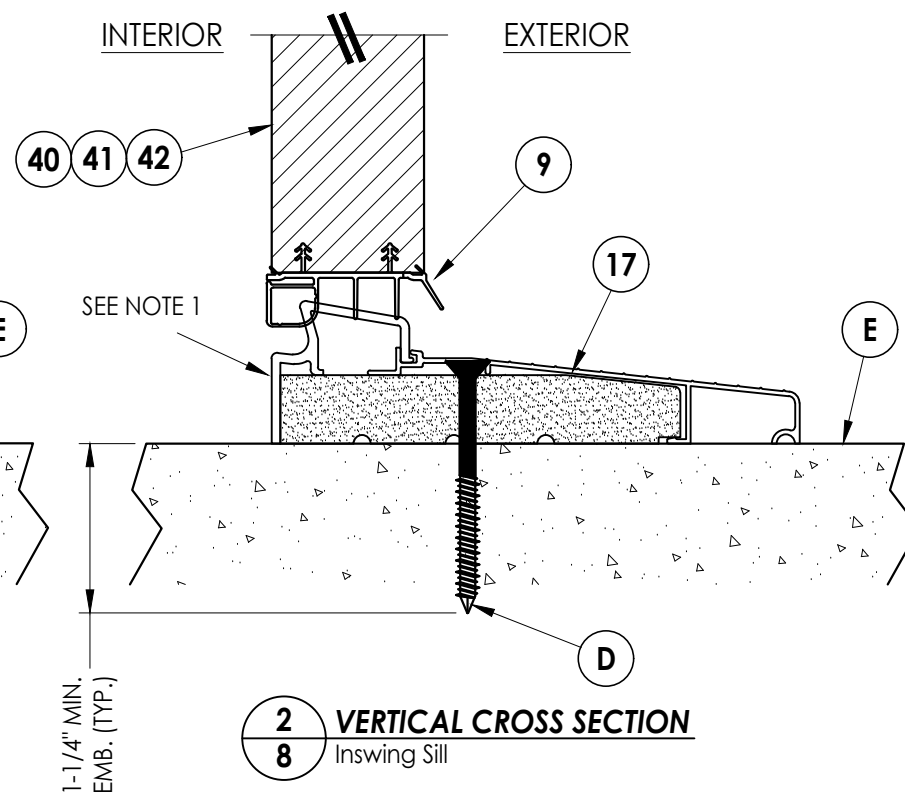
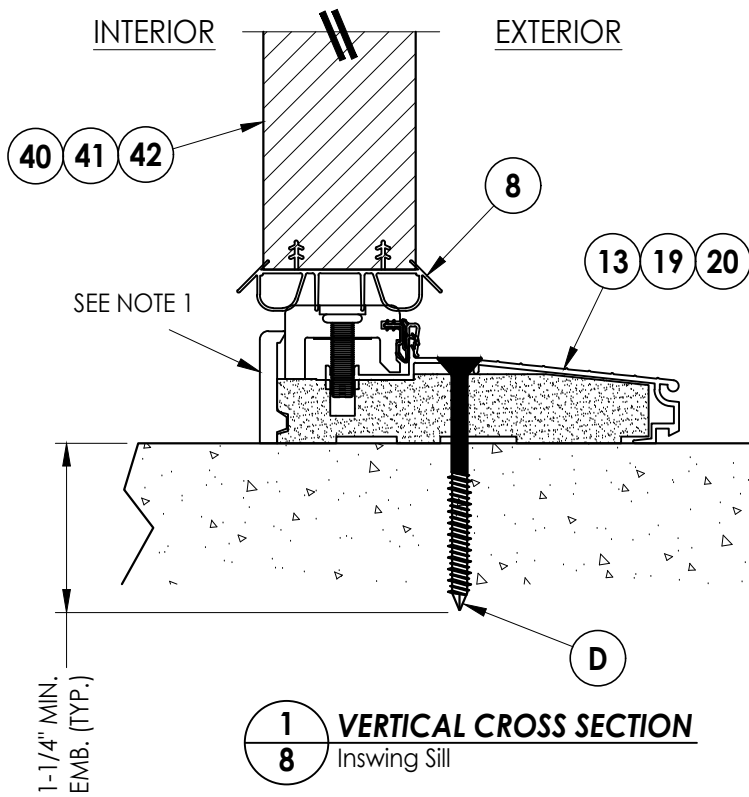
PART OR ASSEMBLY:
 HORIZONTAL & VERTICAL
 SECTIONS (DIRECT TO MASONRY)

NO.	DATE	REVISIONS
2	8/08/23	UPDATE TO 8TH ED. (2023) FBC
1	7/23/20	UPDATE TO 7TH ED (2020) FBC
		BY

DATE: 3/24/20
 SCALE: N.T.S.
 DWG. BY: RW
 CHK. BY: LFS
 DRAWING NO.: FL-23956.5
 SHEET 7 OF 12

Notes:

- Sill Item #'s 13, 16, 17, 19 & 20 are attached to jambs w/ (3) #8 X 2-1/2" pph screws at each end.
Sill Item # 14 is attached to jambs w/ (2) #8 X 2-1/2" pph screws at each end.
Sill Item # 18 is attached to jambs utilizing (4) #10 X 1-1/2" pph screws at each end.
- Sidelite assembly screws located 4" from each end (2 screws total along sill).



Documents Prepared By:
Lyndon F. Schmidt
P.E. No. 43409

RW
BUILDING CONSULTANTS, INC.
P.O. Box 230, Vairico, FL 33595
Phone No.: 813.659.9197
FBPE Registry No. 9813

PRODUCT:
THERMA-TRU
FIBERGLASS DOOR

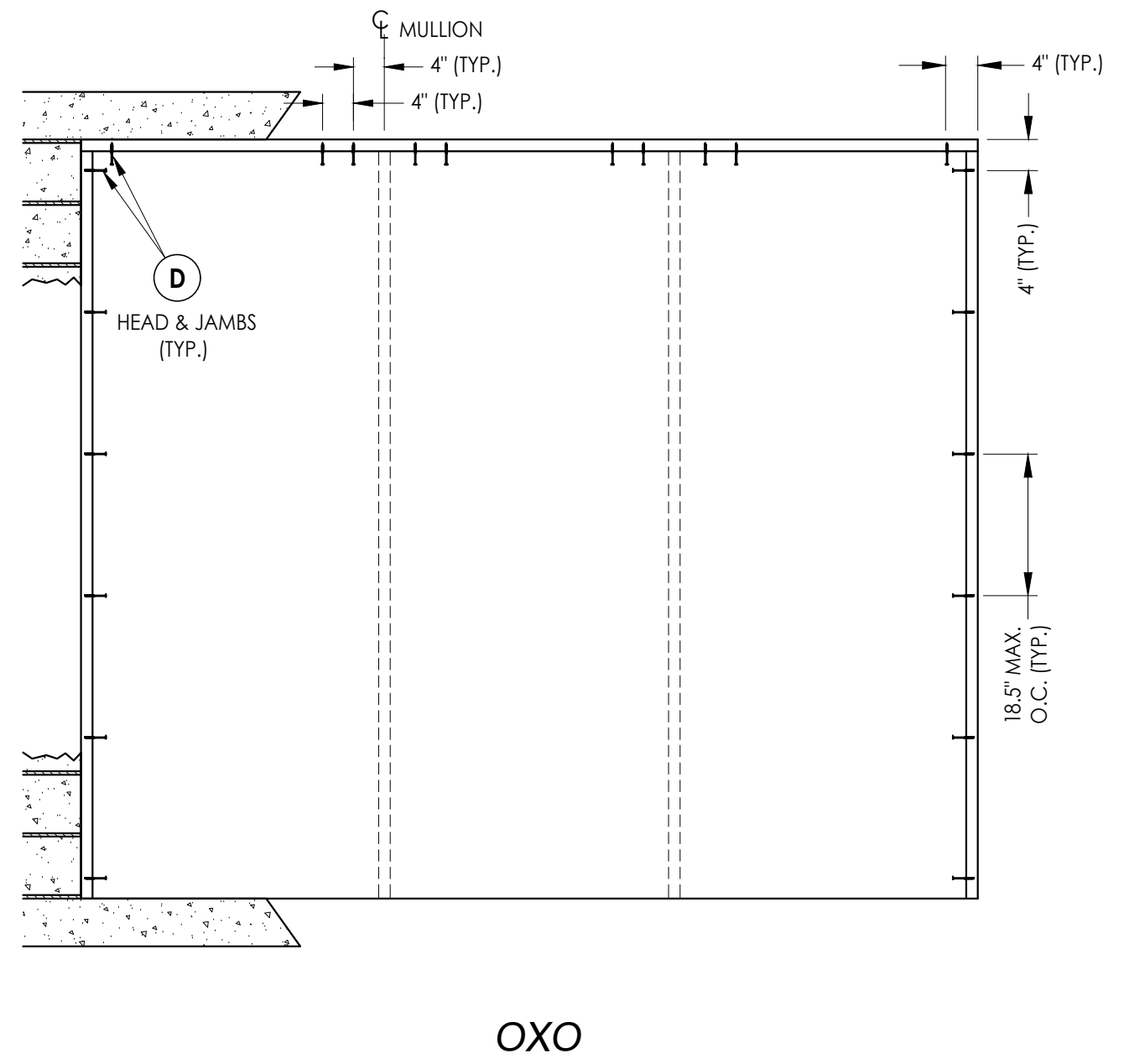
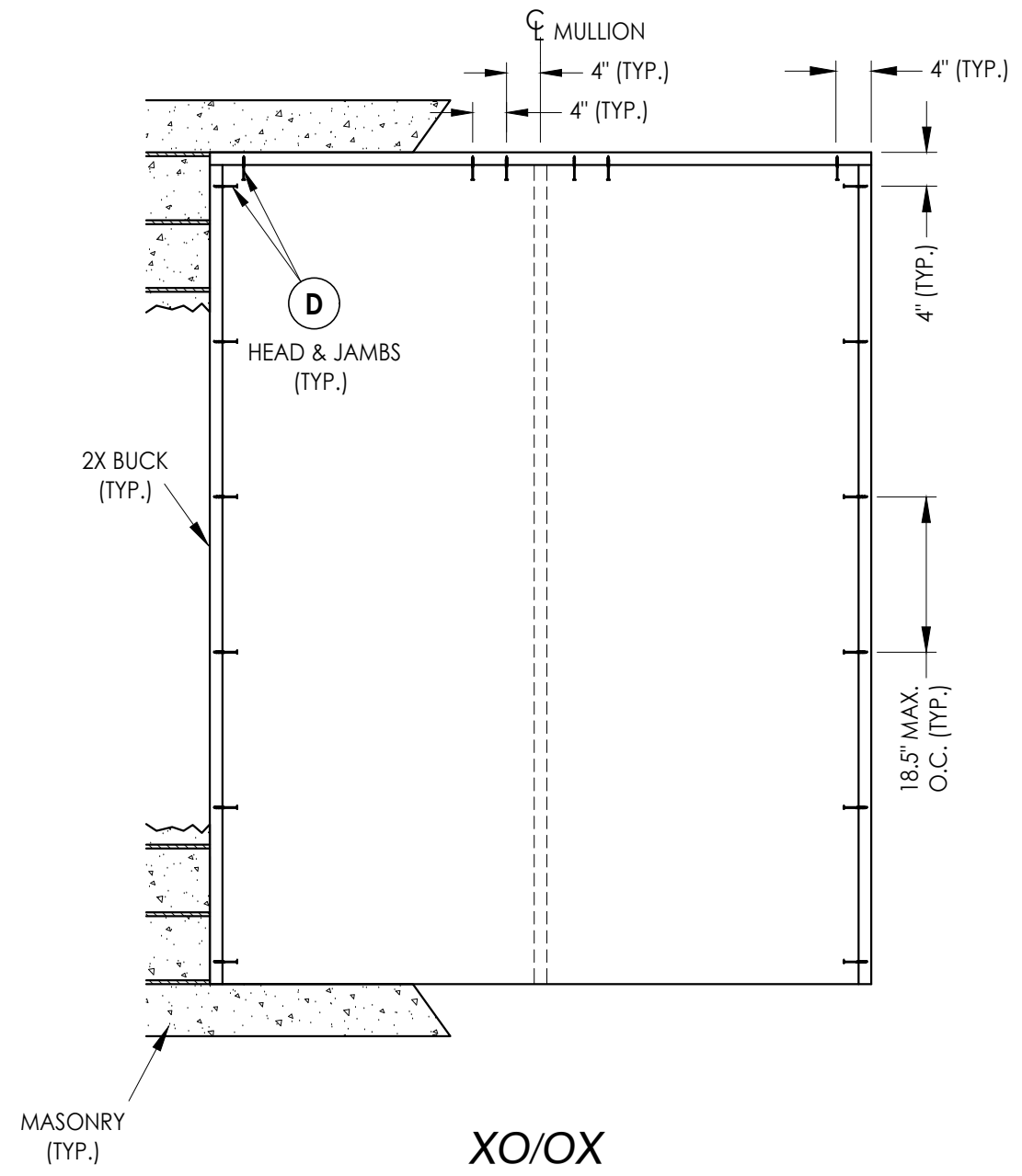
PART OR ASSEMBLY:
VERTICAL CROSS
SECTIONS (THRESHOLDS)

NO.	DATE	BY
2	8/08/23	LFS
1	7/23/20	LFS

DATE:	4/13/20
SCALE:	N.T.S.
DWG. BY:	RW
CHK. BY:	LFS
DRAWING NO.:	FL-23956.5
SHEET	8 of 12

REVISIONS

Z:\2023 FBC Drawings\Therma-Tru\FL-23956 R2\FL-23956.4-6.dwg



2X BUCK ANCHORING

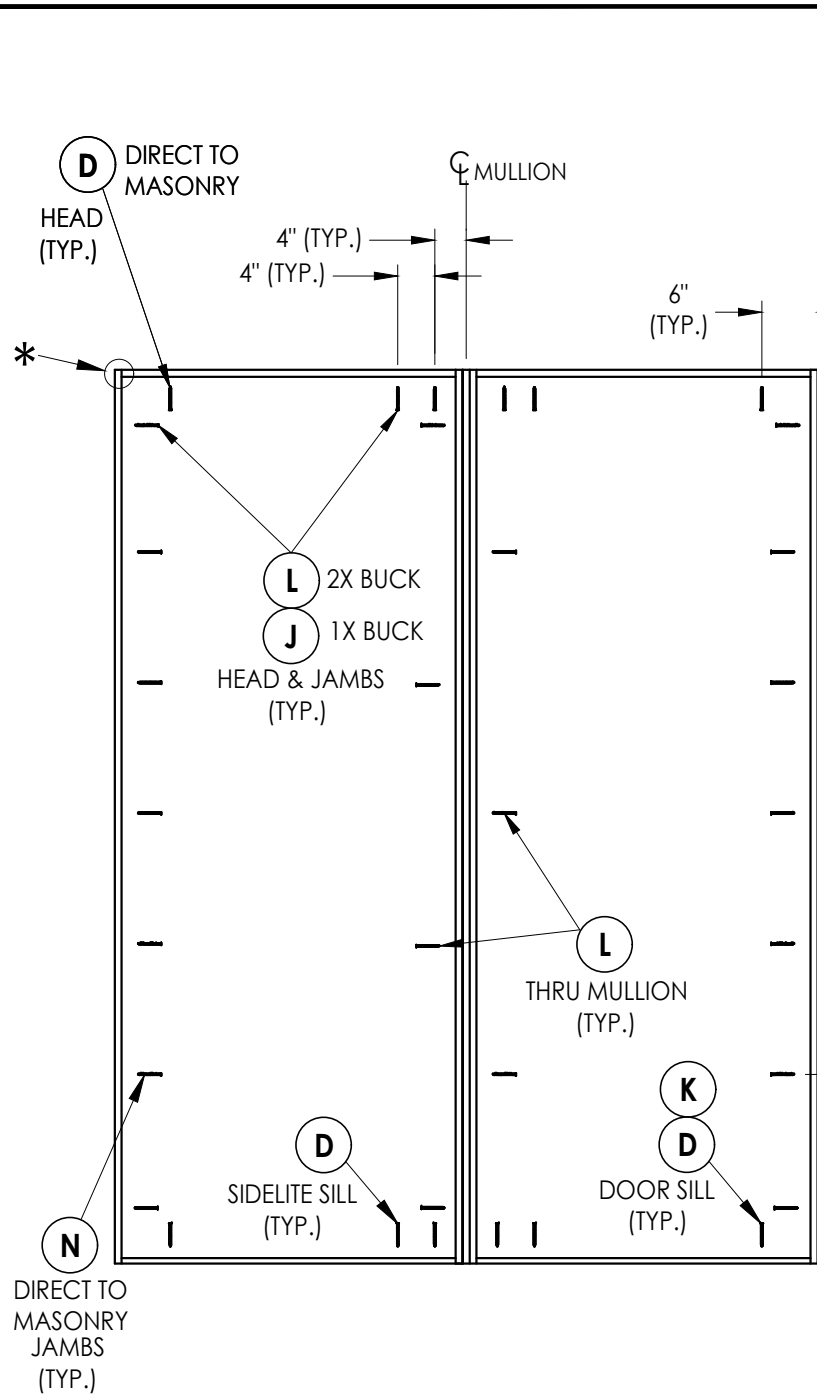
DATE:	4/13/20
SCALE:	N.T.S.
DWG. BY:	RW
CHK. BY:	LFS
DRAWING NO.:	FL-23956.5
SHEET	9 OF 12

REVISIONS	
NO.	DATE
2	8/08/23
1	7/23/20

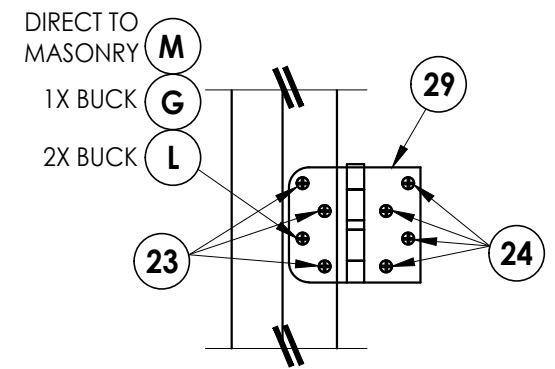
PRODUCT:	THERMA-TRU FIBERGLASS DOOR
PART OR ASSEMBLY:	BUCK ANCHORING

Documents Prepared By:
Lyndon F. Schmidt
P.E. No. 43409

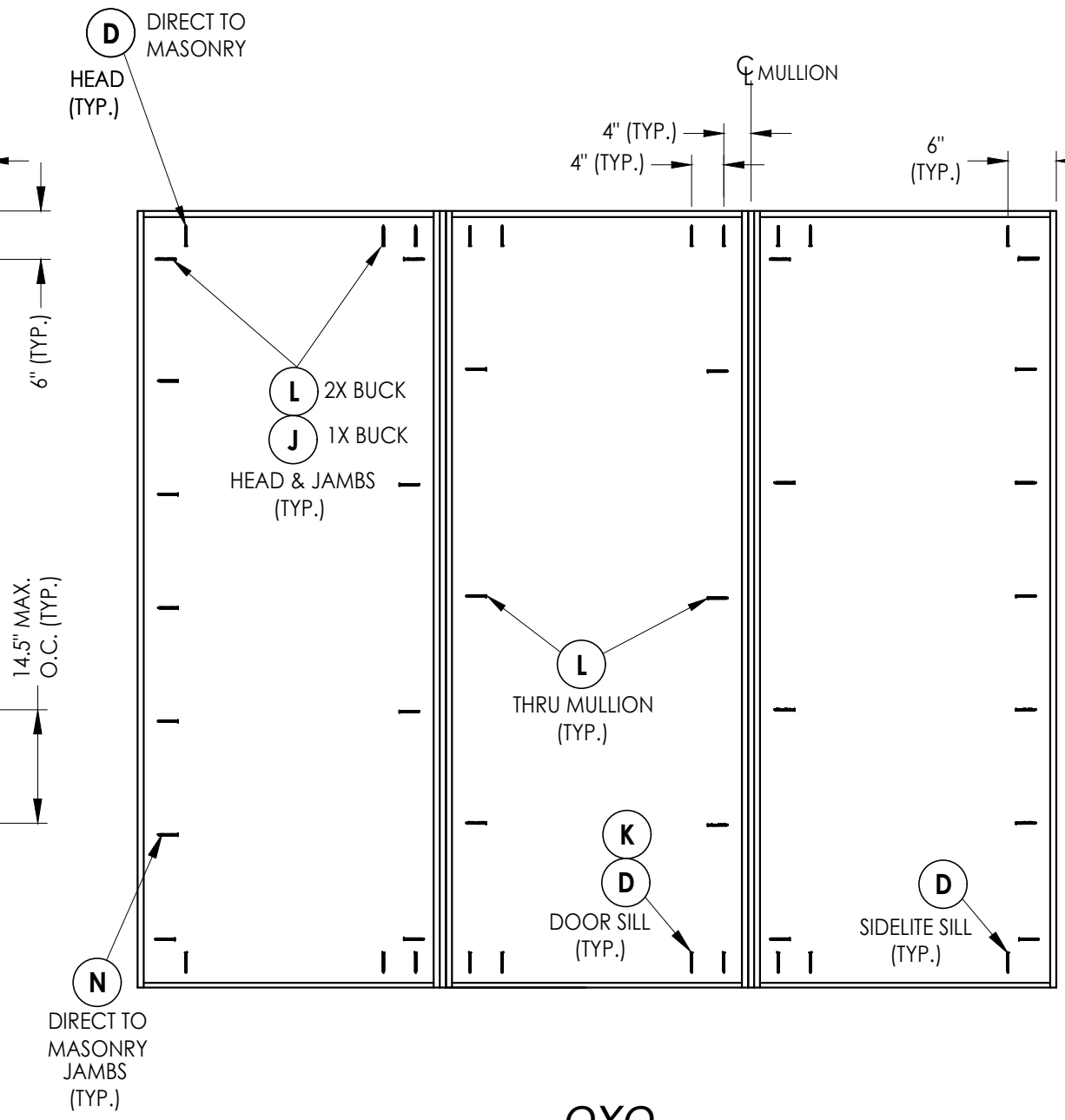
RW BUILDING CONSULTANTS, INC.
P.O. Box 230, Valrico, FL 33595
Phone No.: 813.659.9197
FBPE Registry No. 9813



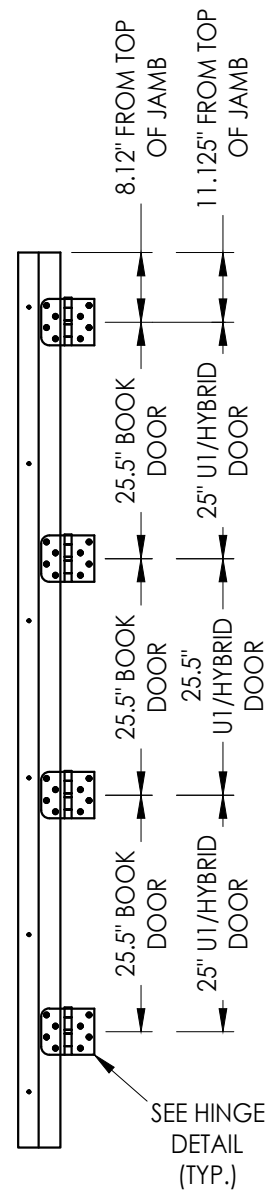
FRAME ANCHORING



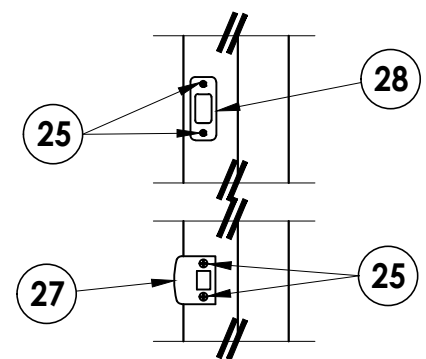
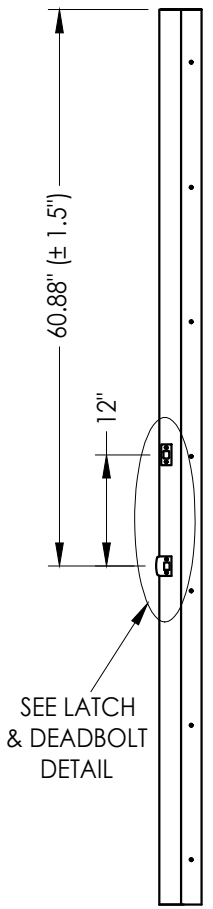
OXO



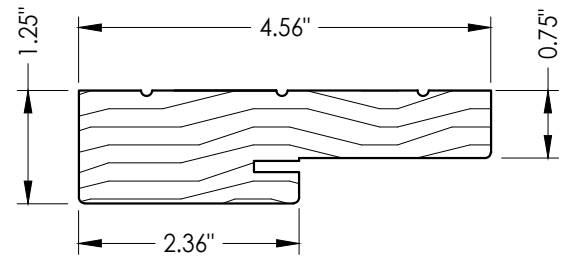
HINGE JAMB



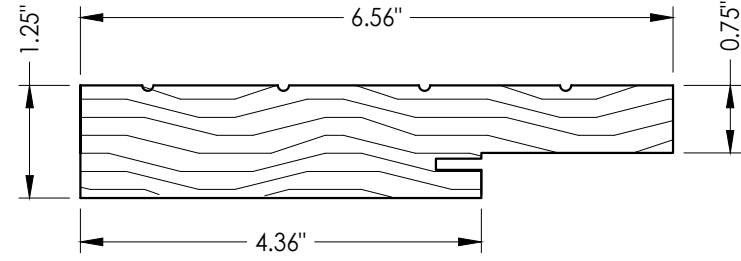
STRIKE JAMB
Latch & Deadbolt



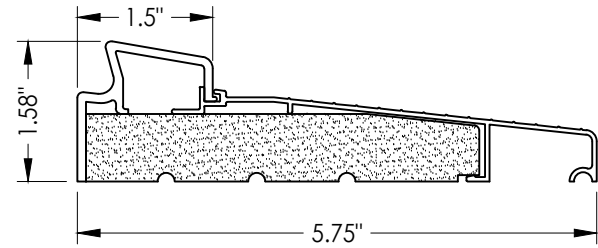
Documents Prepared By: Lyndon F. Schmidt P.E. No. 43409		BUILDING CONSULTANTS, INC. P.O. Box 230, Vairico, FL 33595 Phone No.: 813.659.9197 FBPE Registry No. 9813	
PRODUCT:	THERMA-TRU FIBERGLASS DOOR	PART OR ASSEMBLY:	FRAME ANCHORING
NO.	DATE	NO.	DATE
2	8/08/23	UPDATE TO 8TH ED. (2023)	FBC
1	7/23/20	UPDATE TO 7TH ED (2020)	FBC
DATE: 4/13/20		SCALE: N.T.S.	
DWG. BY: RW		CHK. BY: LFS	
DRAWING NO.: FL-23956.5		SHEET 10 of 12	



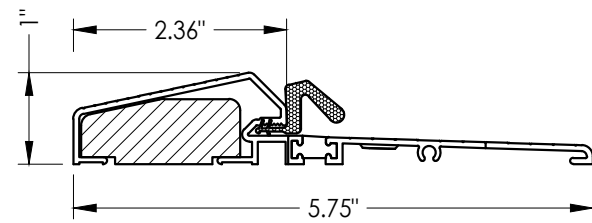
1 WOOD JAMB



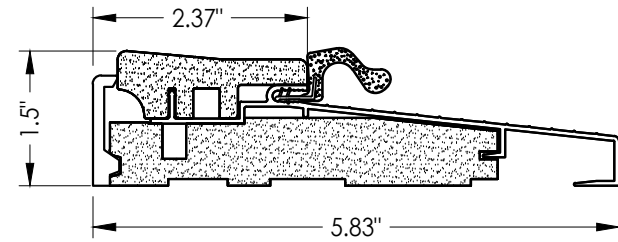
2 WOOD JAMB



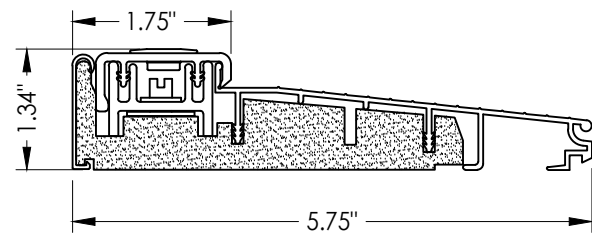
17 INSWING THRESHOLD
Basic Fixed



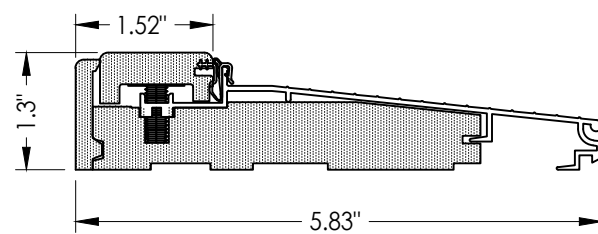
14 OUTSWING THRESHOLD



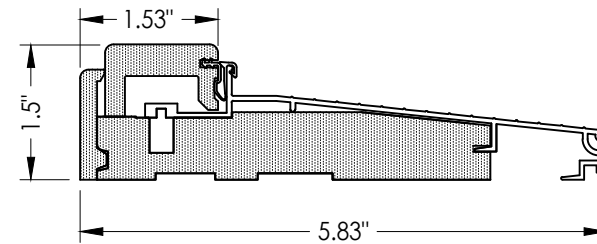
16 OUTSWING THRESHOLD



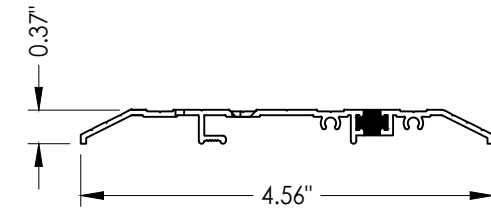
13 INSWING THRESHOLD
Adjustable



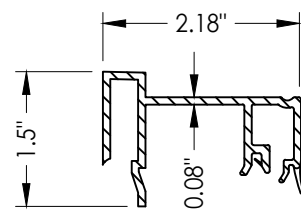
19 INSWING THRESHOLD
Adjustable



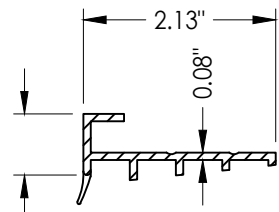
20 INSWING THRESHOLD
Adjustable



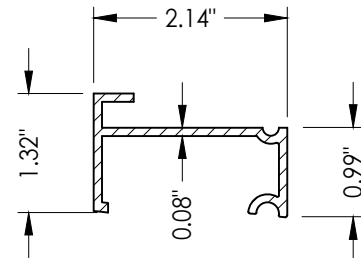
18 PUBLIC ACCESS THRESHOLD



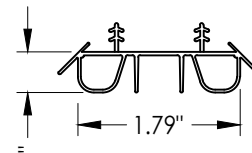
75 SIDELITE SPACER
Inswing



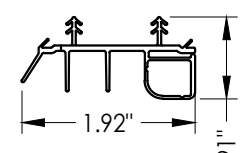
76 SIDELITE SPACER
Outswing



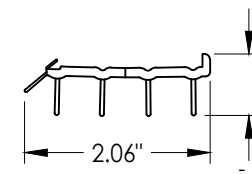
77 SIDELITE SPACER
Inswing



8 SWEEP



9 SWEEP



10 SWEEP

Documents Prepared By:
Lyndon F. Schmidt
P.E. No. 43409

RW BUILDING CONSULTANTS, INC.
P.O. Box 230, Valrico, FL 33595
Phone No.: 813.659.9197
FBPE Registry No. 9813

PRODUCT: THERMA-TRU
FIBERGLASS DOOR

PART OR ASSEMBLY:
COMPONENTS

REVISIONS	
NO.	DATE
2	8/08/23
1	7/23/20

DATE: 4/13/20

SCALE: N.T.S.

DWG. BY: RW

CHK. BY: LFS

DRAWING NO.:
FL-23956.5

SHEET 11 OF 12

Z:\2023 FBC Drawings\Therma-Tru\FL-23956 R2\FL-23956.4-6.dwg

BILL OF MATERIALS		
ITEM #	DESCRIPTION	MATERIAL
A	1X BUCK (SG >= 0.42)	WOOD
B	2X BUCK (SG >= 0.42)	WOOD
C	1/4" MAX. SHIM SPACE	-
D	1/4" X 2-3/4" PFH DeWALT OR ITW CONCRETE SCREW	STEEL
E	MASONRY - 3,000 PSI MIN. CONCRETE CONFORMING TO ACI 301 OR HOLLOW BLOCK CONFORMING TO ASTM C90	CONCRETE
F	#10 X 2" PFH WOOD SCREW	STEEL
G	3/16" X 3-1/4" PFH ITW CONCRETE SCREW	STEEL
J	1/4" X 3-3/4" PFH DeWALT OR ITW CONCRETE SCREW	STEEL
K	1/4" X 1-3/4" PFH DeWALT OR ITW CONCRETE SCREW	STEEL
L	#10 X 2-1/2" PFH WOOD SCREW (1.15" MIN. EMBEDMENT)	STEEL
M	3/16" X 2-1/4" PFH ITW CONCRETE SCREW	STEEL
1	JAMB (FINGER JOINT PINE)	WOOD
2	JAMB (FINGER JOINT PINE)	WOOD
7	WEATHERSTRIP	FOAM
8	SWEEP	VINYL
9	SWEEP	VINYL
10	SWEEP (USE w/ PUBLIC ACCESS THRESHOLD)	VINYL
13	INSWING THRESHOLD	ALUM/COMP
14	OUTSWING THRESHOLD	ALUM/COMP
16	OUTSWING THRESHOLD	ALUM/COMP
17	INSWING THRESHOLD	ALUM/COMP
18	PUBLIC ACCESS THRESHOLD	ALUM
19	INSWING THRESHOLD	ALUM/COMP
20	INSWING THRESHOLD	ALUM/COMP
23	#10 X 3/4" PFH WOOD SCREW	STEEL
24	#10 X 1" PFH WOOD SCREW	STEEL
25	#8 X 2-1/2" PFH WOOD SCREW	STEEL
27	LATCH STRIKE PLATE	STEEL
28	DEADBOLT STRIKE PLATE	STEEL
29	4" X 4" HINGE	STEEL
40	DOOR PANEL (BOOK DOOR)	-
41	DOOR PANEL (HYBRID DOOR)	-
42	DOOR PANEL (U1 DOOR)	-
50	14" SIDELITE PANEL	-
75	SIDELITE SPACER (INSWING)	PVC
76	SIDELITE SPACER (OUTSWING)	PVC
77	SIDELITE SPACER (INSWING) - Moderate Climate Sill	PVC
88	1X REINFORCEMENT (SG >= 0.55)	WOOD

CONCRETE ANCHOR NOTES:

- Concrete anchor locations at the corners may be adjusted to maintain the min. edge distance to mortar joints.
- Concrete anchor locations noted as "MAX. ON CENTER" must be adjusted to maintain the min. edge distance to mortar joints, additional concrete anchors may be required to ensure the "MAX. ON CENTER" dimension are not exceeded.
- Concrete anchor table:

ANCHOR TYPE	ANCHOR SIZE	MIN. EMBEDMENT	MIN. CLEARANCE TO MASONRY EDGE	MIN. CLEARANCE TO ADJACENT ANCHOR
ITW TAPCON®	1/4"	1-1/4"	2"	4"
DeWALT ULTRACON®	1/4"	1-1/4"	1"	4"
ITW TAPCON®	3/16"	1-1/4"	AS SHOWN	1-1/2"

WOOD SCREW INSTALLATION NOTES:

- Maintain a minimum 5/8" edge distance, 1" end distance, & 1" o.c. spacing of wood screws to prevent the splitting of wood.

Documents Prepared By: Lyndon F. Schmidt P.E. No. 43409		BUILDING CONSULTANTS, INC. P.O. Box 230, Valrico, FL 33595 Phone No.: 813.659.9197 FBPE Registry No. 9813	
PRODUCT:	THERMA-TRU FIBERGLASS DOOR	PART OR ASSEMBLY:	BILL OF MATERIALS
		DATE	NO.
		8/08/23	2
		7/23/20	1
		UPDATE TO 8TH ED. (2023) FBC	LFS
		UPDATE TO 7TH ED (2020) FBC	LFS
			BY
			REVISIONS
DATE: 4/13/20			
SCALE: N.T.S.			
DWG. BY: RW			
CHK. BY: LFS			
DRAWING NO.: FL-23956.5			
SHEET 12 of 12			